

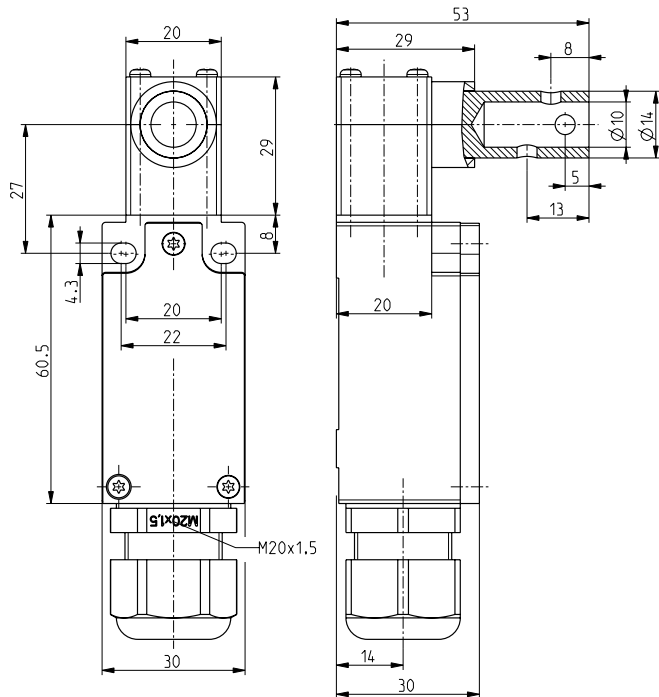
## Ex safety switches for hinged guard doors // Ex 95 SB 2Ö - 10 mm Order no.: 95554302

### Features/Options

- Ex zone 1 and 21
- Double insulated
- Slow action  $\ominus$ , 2 NC contacts with double break
- Mounting details to EN 50 047

- Actuator head can be repositioned in 4 x 90° steps
- Shaft bore  $\varnothing$  10 mm
- Actuating shaft can be turned 360°
- N.B.: Please state required approvals for Russia and China with your order!

### Dimensions



### Technical data

#### Standards

EN 60947-5-1; EN 1088;  
BG-GS-ET-15; EN 60079-0,  
EN 60079-1, EN 60079-7;  
EN 61241-0, EN 61241-1;  
EN ISO 13849-1

#### Design

mounting details to DIN EN 50 047

#### Enclosure

glass-fibre reinforced,  
shock-proof thermoplastic,  
self-extinguishing UL 94-V0

#### Degree of protection

IP 67 to IEC/EN 60529

#### Contact material

silver

#### Switching system

slow action, positive break

#### Switching elements

NC contacts  $\ominus$   
2 NC contacts with double break  
Zb, galvanically separated contact  
bridges

#### Connection

M3 screw clamps

#### Cable section

max. 1.5 mm<sup>2</sup>  
(incl. conductor ferrules)

#### Cable entry

M20 x 1.5

#### B<sub>10d</sub> (10% Load)

2 million

#### T<sub>M</sub>

max. 20 years

#### U<sub>imp</sub>

4 kV

#### U<sub>i</sub>

250 V

#### I<sub>the</sub>

6 A

#### I<sub>e</sub>/U<sub>e</sub>

6 A/250 VAC; 0.25 A/230 VDC

#### Utilisation category

AC-15, DC-13

#### Max. fuse rating

6 A gL/gG D-fuse

#### Ambient temperature

-20 °C ... +60 °C

#### Mechanical life

> 1 million operations

#### Ex marking

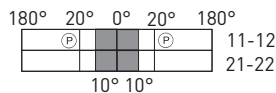
$\text{Ex}$  II 2G Ex de IIC T6,  
II 2D Ex tD A21 IP67 T80°C

#### Approvals

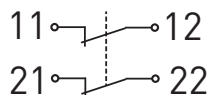
DMT 01 ATEX E 118;  
IECEx in 2011

### Switching diagram

Slow action  
2 NC contacts



### Contact diagram



Errors and omissions excepted.