

Solenoid interlock // STM 295 2Ö/2S-R Order no.: 95353002

Features/Options

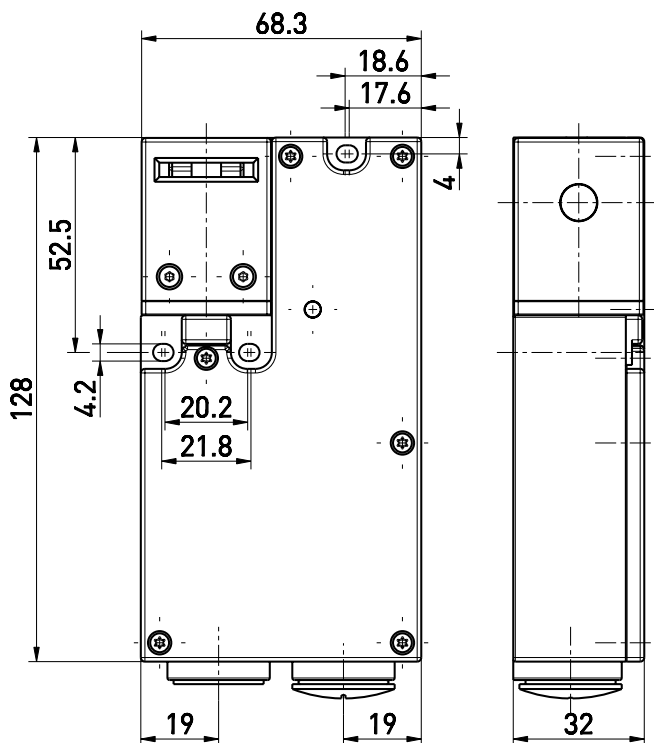
- Thermoplastic enclosure
- Double insulated
- Spring-to-lock principle

- Holding force 1000 N
- Wiring compartment


Note

The actuator is not included with the switches.

Dimensions



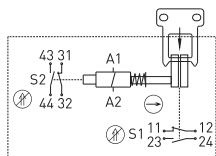
Technical data

Standards:	EN ISO 13849-1; IEC/EN 60947-5-1; EN 1088
Enclosure	glass-fibre reinforced, shock-resistant thermoplastic, self-extinguishing UL 94-V0 STM 295
Switch insert	IP 67 to IEC/EN 60529
Degree of protection	silver
Contact material	slow action, NC contact with positive break \ominus
Switching system	2 NC and 2 NO contacts with positive break, galvanically separated contact bridges
Switching elements	M3 screw clamps max. 1.5 mm ² (incl. conductor ferrules)
Connection	2 x M20 x 1.5 for cable section 5 ... 9 mm
Cable section	1 million
Cable entries	B_{10d} (10% Load) T_M U_{imp} U_i I_{the} I_e/U_e
	max. 20 years 4 kV 250 V 4 A 4 A/250 VAC; 0.25 A/230 VDC
	Utilisation category Max. fuse rating
	AC-15, DC-13 6 A gL/gG D-fuse
	U_s Magnet Unlocking
	24 VDC 100 % ED 100 % ED
	Power consumption Ambient temperature
	max. 47 W -20 °C ... +55 °C
	Mechanical life Holding force F
	> 500.000 operations max. 1000 N
	Approvals
	
Weight	420g

Switching diagram

Spring-to-lock principle

2 NC/2 NO contact



Errors and omissions excepted.