

Ex solenoid interlocks

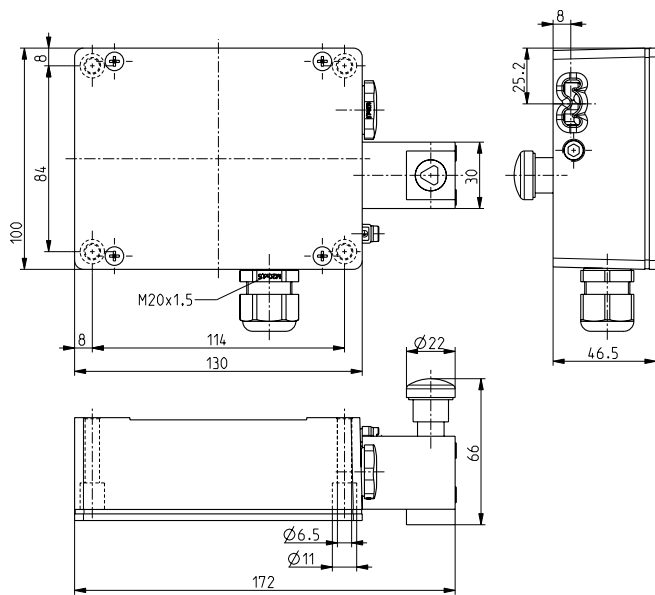
// Ex AZM 415 20/2S-R-TE Order no.: 94353310

Features/Options

- Ex zone 1 and 21
- Two Ex switch inserts in one enclosure
- Spring-to-lock principle
- Problem-free opening of stressed doors by means of bell-crank system
- High holding force 3.500 N
- Ball catch

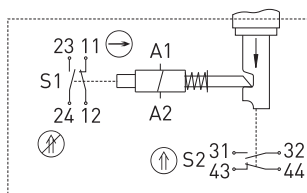
- Wiring compartment
- With emergency release, actuation in case of emergency
- Unlocking by pressing a push-button
- Mounting of the device inside a hazardous area
- N.B.: Please state required approvals for Russia, China and Brazil with your order!

Dimensions



Switching diagram

Spring-to-lock principle 2 NC/2 NO contact



Technical data

Standards

EN 60947-5-1; EN 1088;
EN 60079-0, EN 60079-1,
EN 60079-7, EN 60079-18;
EN ISO 13849-1

Enclosure

aluminium die cast, enamelled
steel, enamelled

Cover

metal zinc/aluminium

Actuator/locking bolt

Ex 95

Switch insert

IP64 to IEC/EN 60529

Degree of protection

silver

Contact material

slow action, positive break NC

Switching system

contact \ominus

Switching elements

change-over contact with double
break Zb, galvanically separated
contact bridges

Connection

M3 screw clamps

B_{10d} (10% Load)

2 million

T_M

max. 20 years

Cable section

max. 2.5 mm² (incl. conductor
ferrules)

Cable entries

2 x M20 x 1.5 for cable section 5 ...
9 mm

U_{imp}

4 kV

U_i

250 V

I_{the}

6 A

I_e/U_e

6 A/250 VAC; 0.25 A/230 VDC

Utilisation category

AC-15

Max. fuse rating

6 A gL/gG D-fuse

I_e/U_e solenoid

0.08 A / 24 VDC $\pm 10\%$

Power consumption

max. 12 W (0.25s)

Ambient temperature

T6: -20 °C ... +40 °C;
T5: -20 °C ... +55 °C

Mechanical life

> 1 million operations

Holding force F

max. 3.500 N

Holding force of integrated ball catch

50 - 200 N, adjustable

Ex certification

Ex II 2G Ex demb IIC T6/T5 Gb,
 Ex II 2D Ex tb IIIC

T80°C/T95°C Db

IECEX Ex demb IIC T6/T5 Gb,

Ex tb IIIC T80°C/T95°C Db

DMT 02 ATEX E 255 X,

IECEX BVS 07.0018X

Approvals



Ex solenoid interlocks

// Ex AZM 415 2Ö/2S-R-TE Order no.: 94353310

Errors and omissions excepted.