

Ex safety switches for hinged guard doors

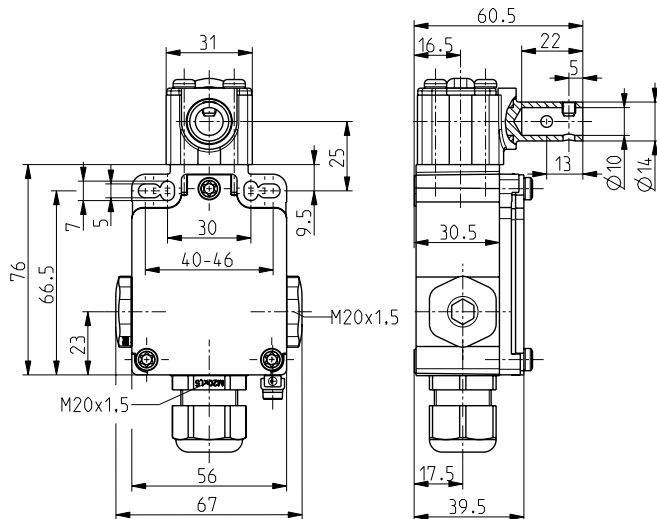
// Ex 355 V10S 1Ö/1S - 10 mm Order no.: 92054301

Features/Options

- Ex zone 1 and 21
- Wiring compartment
- Mounting details to DIN EN 50 041
- Actuator head can be repositioned in 4 x 90° steps

- Actuating shaft can be turned 360°
- Shaft bore \varnothing 10 mm
- N.B.: Please state required approvals for Russia and Brazil with your order!

Dimensions



Technical data

Standards

EN 60947-5-1; EN 1088;
EN 60079-0, EN 60079-1,
EN 60079-7, EN 60079-31;
EN ISO 13849-1

Design

mounting details to DIN EN 50 041

Enclosure

zinc die casting, enamelled

Switch insert

Ex 95

Degree of protection

IP 67 to IEC/EN 60529

Contact material

silver

Switching system

slow action, positive break

NC contacts \ominus

Switching elements

change-over contact with double
break Zb, galvanically separated
contact bridges

Connection

M3 screw clamps

Cable section

max. 1.5 mm²
(incl. conductor ferrules)

Cable entry

M20 x 1.5

B_{10d} (10% Load)

2 million

T_M

max. 20 years

U_{imp}

4 kV

U_i

250 V

I_{the}

6 A

I_e/U_e

6 A/250 VAC; 0.25 A/230 VDC

Utilisation category

AC-15, DC-13

Max. fuse rating

6 A gL/gG D-fuse

Ambient temperature

-20 °C ... +60 °C

Mechanical life

> 1 million operations

Ex marking

Ⓔ II 2G Ex de IIC T6/T5 Gb,
II 2D Ex tb IIIC T80°C/T95°C Db
IECEX Ex de IIC T6/T5 Gb,
Ex tb IIIC T80°C/T95°C Db
BVS 04 ATEX E 126
IECEX BVS 07.0013

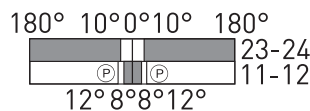
Approvals



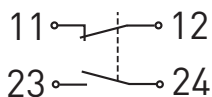
Switching diagram

Slow action

1 NC/1 NO contact



Contact diagram



Errors and omissions excepted.