



## Radio position switch

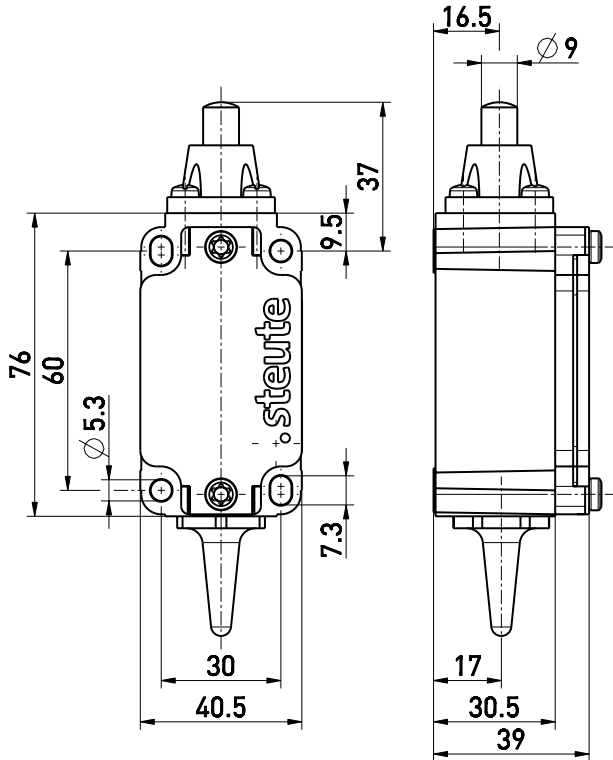
// RF 98 EN868 Order no.: 9109011101

### Features/Options


- Output signal to be configured individually at the receiver
- EnOcean-protocol
- Data rate 120 kbps
- No power supply, no wiring and pipe laying required
- Multi-network capable

- Easy programming of receiver
- Actuator: Plunger
- Actuator type B to DIN EN 50 041
- Actuating speed max. 0.5 m/s with actuating angle of  $\alpha = 0^\circ$

### Dimensions



### Technical Data

Standards	EN 60947-5-1; EN 61000-6-2; EN 301 489-1; EN 301 489-3; EN 300 220-2
Enclosure	zinc die-cast, enamelled
Cover	steel, enamelled
Degree of protection	IP 67 per IEC/EN 60529
Protocol	EnOcean
Ambient temperature	-20 °C ... +65 °C
Switching frequency	approx. 9000 telegrams at repetitions/h
Voltage supply	Electrodynamic energy generator
Frequency	868.3 MHz
Transmission power	max. 10 mW
Data rate	120 kbps
Bandwidth channel	280 kHz
Sensing range	max. 300 m outside, max. 30 m inside
Mechanical life	> 1 million operations
Actuating time	min. 80 ms
Note	no status signal
Approvals	

Errors and omissions excepted.