

## Ex belt-alignment switches

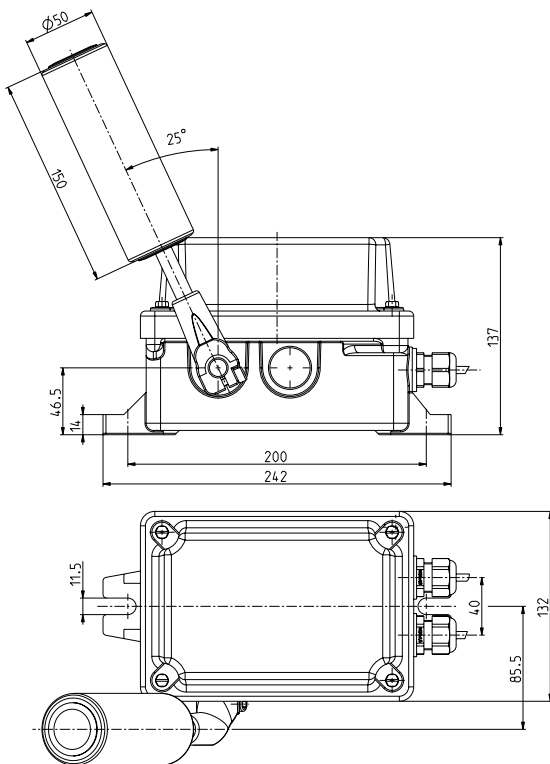
// Ex ZS 90 SR 2 NC/2 NO VD Order no.: 76431302

### Features/Options

- Ex zone 1 and 21
- Thermoplastic enclosure
- 2 NC and 2 NO contacts
- With contact staggering:
  - 1 NC and 1 NO contact switching at 15°
  - 1 NC and 1 NO contact switching at 25°

- Release by lever possible
- Belt-alignment lever continuously adjustable
- N.B.: Please state required approvals for Russia, China and Brazil with your order!

### Dimensions



### Technical data

<b>Standards</b>	EN 60947-5-1; EN 1088; EN 60079-0, EN 60079-1, EN 60079-31; EN ISO 13849-1
<b>Enclosure</b>	Duroplast
<b>Cover</b>	Duroplast
<b>Switch insert</b>	Ex 14
<b>Degree of protection</b>	IP 65 to IEC/EN 60529
<b>Contact material</b>	silver
<b>Switching system</b>	slow action, positive break NC contacts ⊖
<b>Switching elements</b>	2 NO/2 NC contacts with double break
<b>Connection</b>	cable H05VV-F, length 3 m
<b>Cable entry</b>	2 x M25 x 1.5
<b>B<sub>10d</sub>(10%load)</b>	200.000
<b>T<sub>M</sub></b>	max. 20 years
<b>U<sub>imp</sub></b>	4 kV
<b>U<sub>i</sub></b>	250 V
<b>I<sub>the</sub></b>	T6: 6 A; T5: 3 A
<b>Utilisation category</b>	AC-15, DC-13
<b>I<sub>e</sub>/U<sub>e</sub></b>	6 A/250 VAC; 0,25 A/230 VAC
<b>Max. fuse rating</b>	6 A gG D-fuse
<b>Ambient temperature</b>	T6: -20 °C ... +65 °C; T5: -20 °C ... +95 °C
<b>Mechanical life</b>	> 100.000 operations
<b>Ex marking</b>	⊕ II 2G Ex d IIC T6/T5 Gb, ⊕ II 2D Ex tb IIIC T80°C/T95°C Db IECEX Ex d IIC T6/T5 Gb, Ex tb IIIC T80°C/T95°C Db
<b>Approvals</b>	PTB 03 ATEX 1070 X (referring to the switch insert), IECEX PTB 06.0098 X



Errors and omissions excepted.