



- Zone 1 and 2, Zone 21 and 22
- IP 65 for indoor and outdoor applications
- Flexible mounting possibilities
- Suitable for use in areas liable to explosion caused by both gas or dust without the need for additional accessories

i TECHNICAL SPECIFICATIONS:



Dimensions (L x H x W):	178 mm x 104 mm x 207 mm
Fixing dimensions (L x H):	130 mm x 160 mm
Housing:	PC
Connection:	CAGE CLAMP® max. 2.5 mm ²
Cable entry:	Cable gland M 16 x 1.5 mm Cable diameter 6.5-9.5 mm
Fixing:	Wall mounting, base mounting
Explosion protection:	⊕ II 2G Ex emb II T5 ⊕ II 2D Ex td A21 IP65 T70°C
Approval:	BVS 03 ATEX E 118X

🛒 ORDER SPECIFICATIONS:

Voltage	24 V=	24 V~	48 V~	115 V~	230 V~
Voltage range	21.6 V ... 26.4 V	21.6 V ... 26.4 V	37.8 V ... 52.8 V	102.5 V ... (50 Hz)	108 V ... (60 Hz)
Current consumpt.	350 mA	450 mA	220 mA	205 mA	70 mA
	761 000 55	761 000 65	761 000 66	761 000 67	761 000 68

📐 TECHNICAL DIAGRAMS:

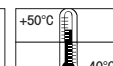
see page 281

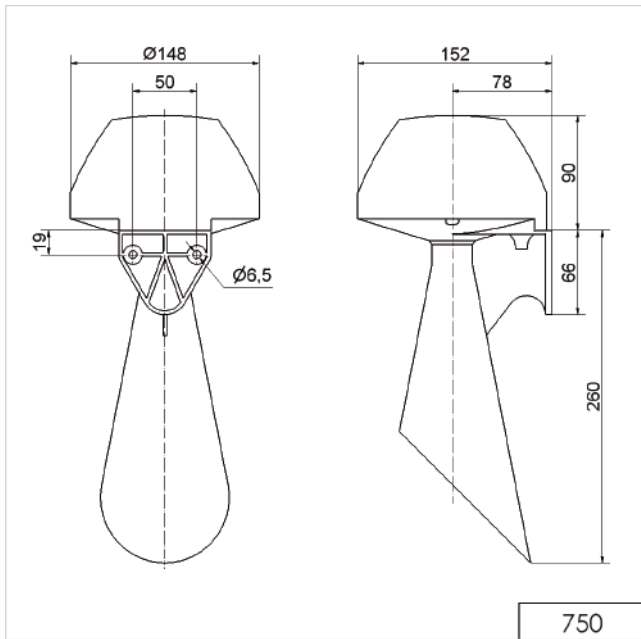


The Ex signal horn 761 can be used for a range of applications in gas and dust explosion endangered areas, e.g. in joinery and wood processing plants.

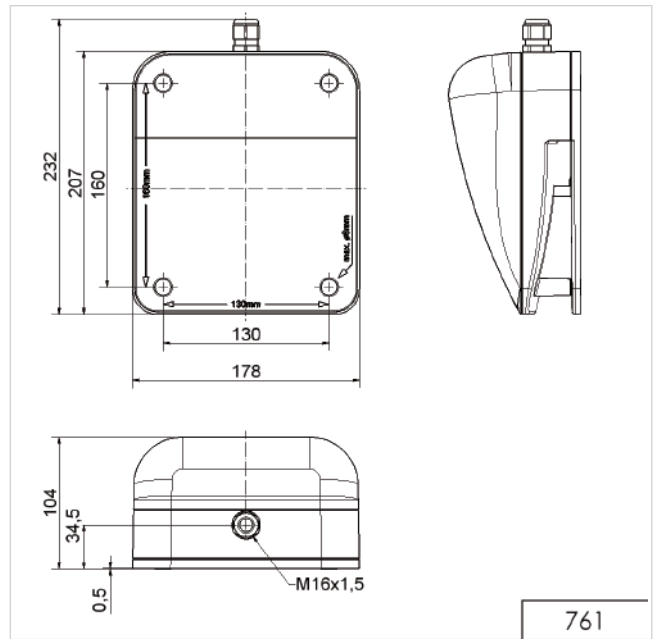


2 G	2 D
Zone 1 + 2	Zone 21 + 22

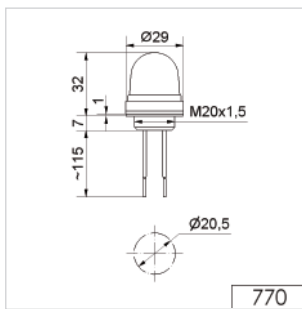




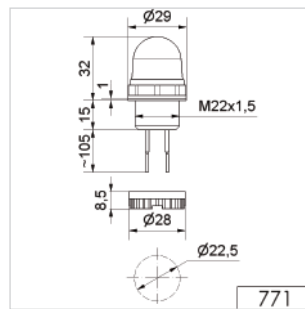
750



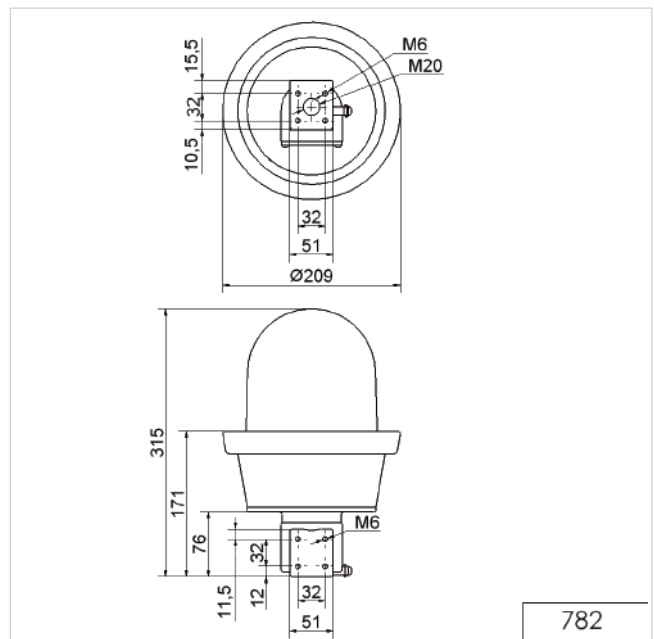
761



770



771



782

! ADDITIONAL INFORMATION:

You are welcome to request the technical diagrams in digital form. The relevant 3D models, instruction leaflets and connection diagrams can be obtained from us or downloaded from our homepage at any time.