

## Emergency pull-wire switch

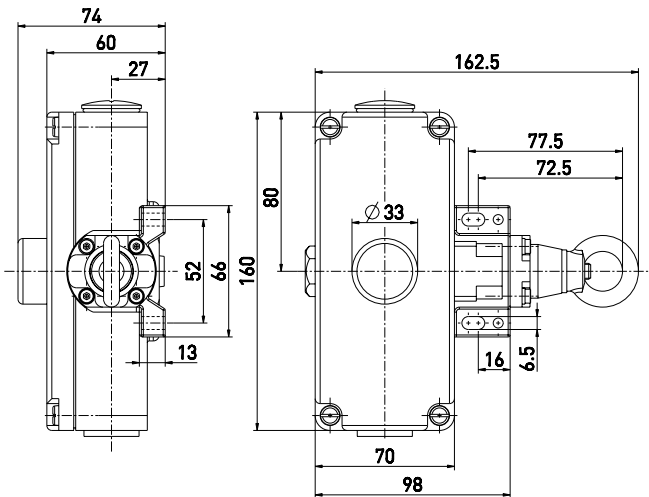
// ZS 75 20/2S VD / 295-390 N Order no.: 75441502

### Features/Options

- Metal enclosure
- 4 contacts
- Wire length up to 50 m

- Adjustable actuating force: 295-390 N for 30-50 m
- Release by push button
- Wire pull and breakage function

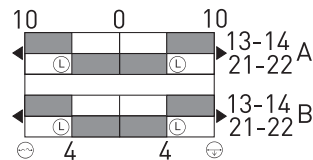
### Dimensions



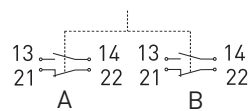
### Switching diagram

#### Snap action

2 NC/2 NO contacts



### Contact diagram



### Technical data

#### Standards

EN ISO 13849-1;  
IEC/EN 60947-5-1;  
IEC/EN 60947-5-5; EN 418

#### Enclosure

aluminium die-cast, enamel finish

#### Cover

aluminium die-cast, enamel finish

#### Degree of protection

IP 54 to IEC/EN 60529

#### Contact material

silver

#### Switching elements

2 NC/2 NO contacts with double break

#### Switching system

snap action, positive break NC

#### Connection

contacts ⊖

#### Cable section

screw terminals

max. 2.5 mm<sup>2</sup>  
(incl. conductor ferrules)

#### Cable entry

2 x M25 x 1.5

#### B<sub>10d</sub> (10% Load)

200.000

#### T<sub>M</sub>

max. 20 years

#### U<sub>imp</sub>

6 kV

#### U<sub>i</sub>

400 V

#### I<sub>the</sub>

6 A

#### Utilisation category

AC-15

#### I<sub>e</sub>/U<sub>e</sub>

6 A/400 VAC

#### Max. fuse rating

6 A gL/gG D-fuse

#### Ambient temperature

-25 °C ... +70 °C

#### Mech. life

> 100.000 operations

#### Max. wire length

50 m

#### Features

wire pull and breakage function

#### Approvals



#### Weight

950g

Errors and omissions excepted.