

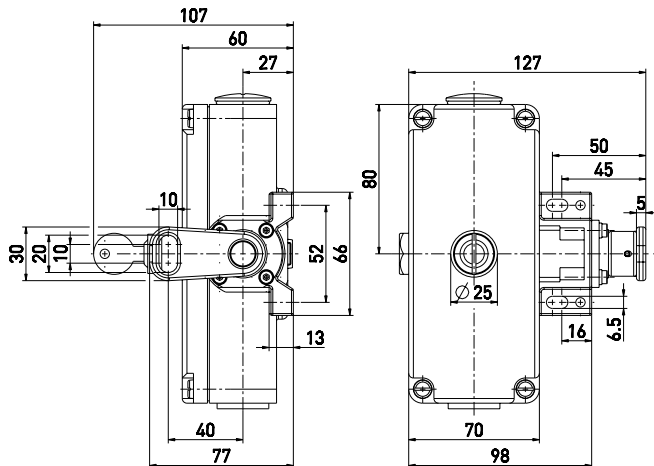
Emergency pull-wire switch // ZS 75 S 20/2S VS Order no.: 75430603

Features/Options

- Metal enclosure
- 4 contacts
- Wire length up to 2 x 50 m

- Release by key
- Wire pull and breakage function

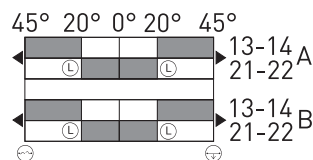
Dimensions



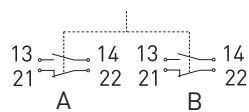
Switching diagram

Snap action

2 NC/2 NO contacts



Contact diagram



Note:

At 4 m distance intermediate wire supports are required. Two tension springs type RZ-1561 must be installed, see accessories.

Technical data

Standards

EN ISO 13849-1;
IEC/EN 60947-5-1;
IEC/EN 60947-5-5; EN 418

Enclosure

aluminium die-cast, enamel finish

Cover

aluminium die-cast, enamel finish

Degree of protection

IP 54 to IEC/EN 60529

Contact material

silver

Switching elements

2 NC/2 NO contacts with double break

Switching system

snap action, positive break NC

contacts ⊖

Connection

screw terminals

Cable section

max. 2.5 mm²
(incl. conductor ferrules)

Cable entry

2 x M25 x 1.5

B_{10d} (10% Load)

200.000

T_M

max. 20 years

U_{imp}

6 kV

U_i

400 V

I_{the}

6 A

Utilisation category

AC-15

I_e/U_e

6 A/400 VAC

Max. fuse rating

6 A gL/gG D-fuse

Ambient temperature

-25 °C ... +70 °C

Mech. life

> 100.000 operations

Max. wire length

2 x 50 m

Features

wire pull and breakage function

Approvals



Weight

1080g

Errors and omissions excepted.