

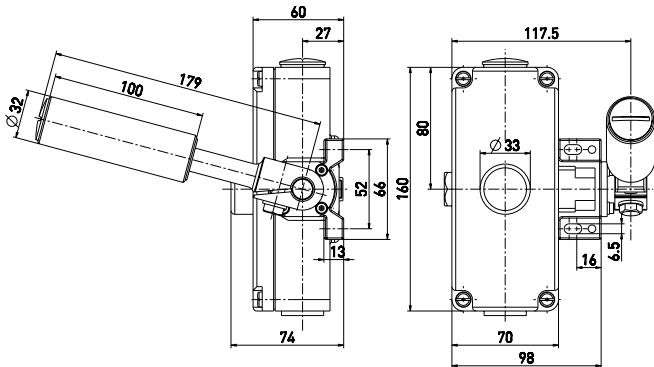
Belt-alignment switch

// ZS 75 SR 10/1S VD Order no.: 75131501

Features/Options

- Metal enclosure
- 2 contacts
- Release by push button
- Belt-alignment roller stainless steel 1.4104

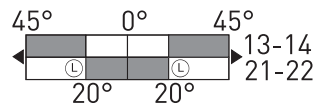
Dimensions



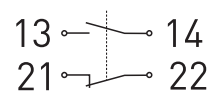
Switching diagram

Snap action

1 NC/1 NO contact



Contact diagram



Technical data

Standards	IEC/EN 60947-5-1; EN ISO 13849-1
Enclosure	aluminium die-cast, enamel finish
Cover	aluminium die-cast, enamel finish
Degree of protection	IP 65 to IEC/EN 60529
Contact material	silver
Switching elements	change-over contact with double break
Switching system	snap action, positive break
Connection	NC contacts ⊖
Cable section	screw terminals
Cable entry	max. 2.5 mm ²
B _{10d} (10% Load)	(incl. conductor ferrules)
T _M	2 x M25 x 1.5
U _{imp}	200.000
U _i	max. 20 years
I _{the}	6 kV
Utilisation category	400 V
I _e /U _e	6 A
Max. fuse rating	AC-15
Ambient temperature	6 A/400 VAC
Mech. life	6 A gL/gG D-fuse
Approvals	-25 °C ... +70 °C
Weight	> 100.000 operations
	1600g

Errors and omissions excepted.