

## Ex belt-alignment switches

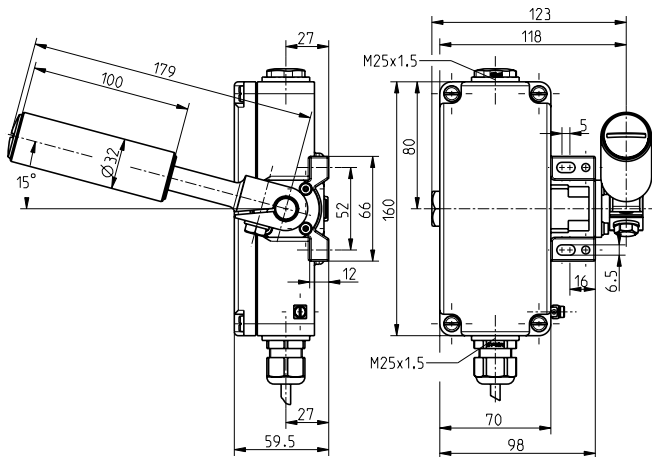
// Ex ZS 75 SR 1 NC/1 NO Order no.: 75031302

### Features/Options

- Ex zone 1 and 21
- Metal enclosure
- 2 contacts
- Cable

- Release by push button or key possible
- Belt-alignment roller made of stainless steel 1.4104
- N.B.: Please state required approvals for Russia, China and Brazil with your order!

### Dimensions



### Technical data

Standards	EN 60947-5-1, -5; EN 60079-0, EN 60079-1, EN 60079-31; EN ISO 13849-1
Enclosure	aluminium die casting, enamel finish
Cover	aluminium die casting, enamel finish
Switch insert	Ex 14
Degree of protection	IP 54 to IEC/EN 60529
Contact material	silver
Switching system	slow action, positive break NC contact ⊖
Switching elements	change-over contact with double break
Connection	cable H05VV-F
Cable section	4 x 0.75mm <sup>2</sup> (incl. conductor ferrules) per switch insert
Cable length	3 m
B <sub>10d</sub> (10% load)	2 million
T <sub>M</sub>	max. 20 years
U <sub>imp</sub>	4 kV
U <sub>i</sub>	250 V
I <sub>the</sub>	T6: 6 A; T5: 3 A
I <sub>e</sub> /U <sub>e</sub>	6 A/250 VAC; 0,25 A/230 VDC
Utilisation category	AC-15, DC-13
Max. fuse rating	6 A gL/gG D-fuse
Ambient temperature	T6: -20 °C ... +65 °C; T5: -20 °C ... +95 °C
Mechanical life	> 1 million operations
Ex marking	⊕ II 2G Ex d IIC T6/T5 Gb, ⊕ II 2D Ex tb IIIC T80°C/T95°C Db IP65 IECEx Ex d IIC T6/T5 Gb, Ex tb IIIC T80°C/T95°C Db
Approvals	PTB 11 ATEX 1003 X, IECEx PTB 07.0034 X



Errors and omissions excepted.