



- Zone 1 and 2
- Competitively priced Ex LED Signal Tower
- No additional zener barrier required
- Combination of encapsulation "m" and intrinsic safety "ib" with connection area "e"

Life duration up to 100,000 hrs

TECHNICAL SPECIFICATIONS:

Dimensions of the Zener Barrier (L x H x W):	76 mm x 110 mm x 75 mm
Dimensions total:	2 tier (L x B x H): 76 mm x 229 mm x 75 mm 3 tier (L x B x H): 76 mm x 263 mm x 75 mm
Housing:	Polyester, PC
Connection:	Screw terminal max. 2.5 mm ² incl. approved cable gland "e"
Explosion protection:	Ex II 2G EEx me [ib] IIC T6
Approval:	PTB 06 ATEX 2005

ORDER SPECIFICATIONS:



Voltage	24 V =
Current consumption	< 90 mA
red / green	741 110 55
red / yellow	741 120 55
red / yellow / green	741 130 55

TECHNICAL DIAGRAMS:


see page 280




The Ex LED Signal Tower 741 warns of imminent danger in gas explosion endangered areas, e.g. in the chemical industry and paint shops

2 G
Zone 1 + 2

2 tier


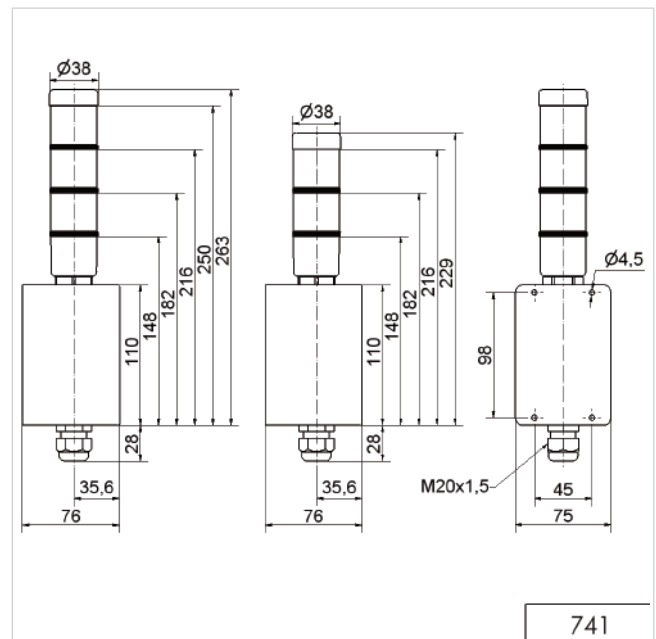
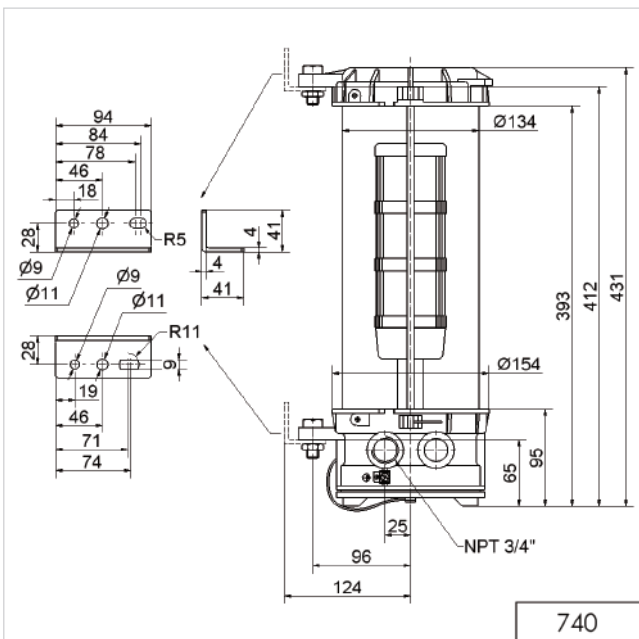
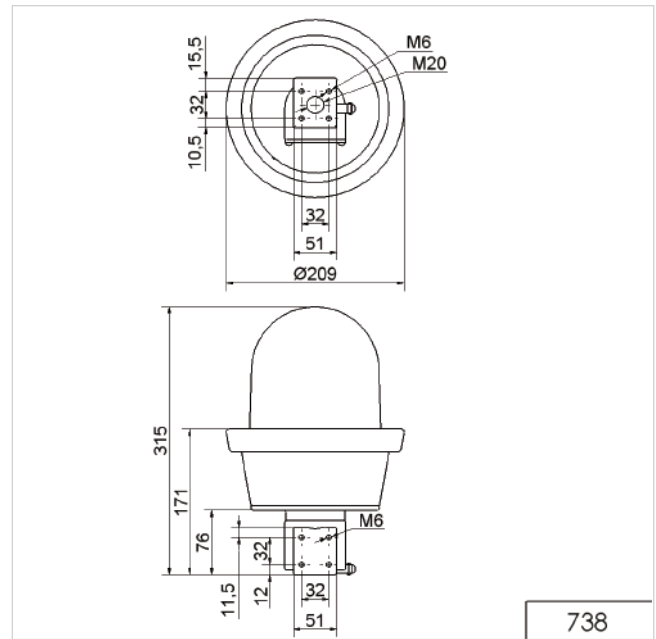
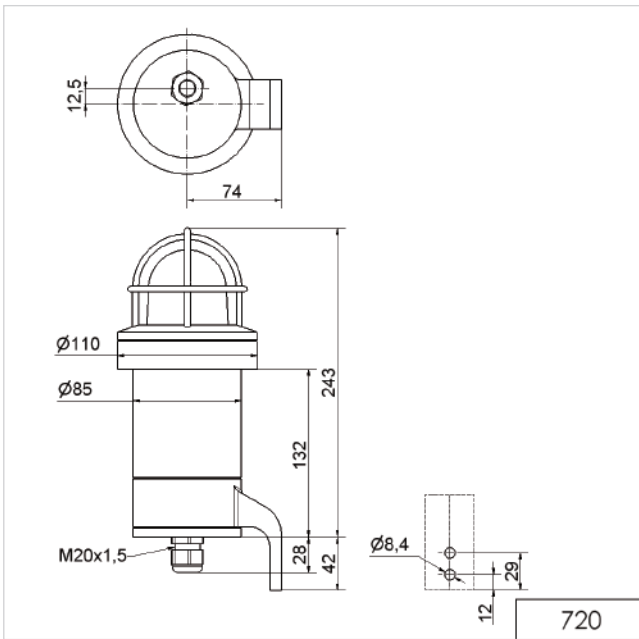
3 tier


IP65

+50°C
-20°C



Technical Diagrams



Technical
Diagrams