

Emergency pull-wire switch

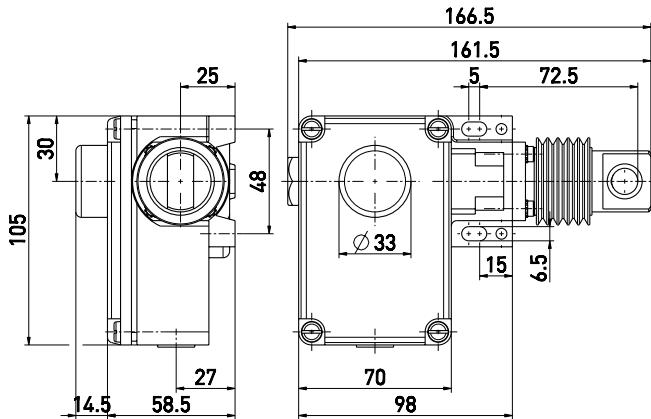
// ZS 73 20 WVD / 295-390 N Niro Order no.: 73542916

Features/Options

- Metal enclosure
- 2 contacts
- Wire length up to 50 m
- Adjustable actuating force: 295-390 N for 30-50 m

- Release by push button
- Wire pull and breakage function
- Watertight collar W to protect against the entry of foreign bodies
- Pull-wire unit and screws made of stainless steel 1.4305, hard-coated housing

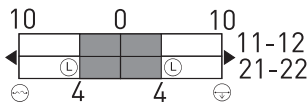
Dimensions



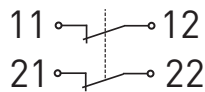
Switching diagram

Snap action




2 NC contacts



Contact diagram



Technical data

| | |
|--------------------------------|---|
| Standards | EN ISO 13849-1; IEC/EN 60947-5-1; IEC/EN 60947-5-5; EN 418 |
| Enclosure | aluminium die-cast, hard-coated and enamelled |
| Cover | glass-fibre reinforced, shock-proof thermoplastic, ultramid |
| Degree of protection | IP 65 to IEC/EN 60529 |
| Contact material | silver |
| Switching elements | 2 NC contacts with double break |
| Switching system | snap action, positive break NC contacts ⊖ |
| Connection | screw terminals |
| Cable section | max. 2.5 mm ² (incl. conductor ferrules) |
| Cable entry | 1 x M16 x 1.5 |
| B _{10d} (10% Load) | 200.000 |
| T _M | max. 20 years |
| U _{imp} | 6 kV |
| U _i | 400 V |
| I _{the} | 6 A |
| Utilisation category | AC-15 |
| I _e /U _e | 6 A/400 VAC |
| Max. fuse rating | 6 A gL/gG D-fuse |
| Ambient temperature | -25 °C ... +70 °C |
| Mech. life | > 100.000 operations |
| Max. wire length | 50 m |
| Features | wire pull and breakage function |
| Approvals |    |
| Weight | 820g |

Errors and omissions excepted.