

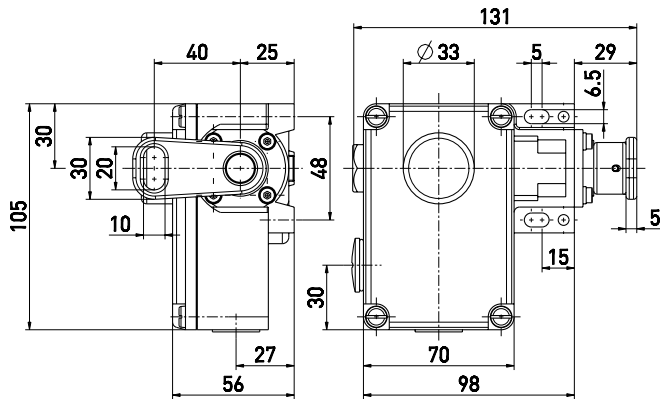
Emergency pull-wire switch // ZS 73 S 20 VD Order no.: 73530501

Features/Options

- Metal enclosure
- 2 contacts
- Wire length up to 2 x 50 m

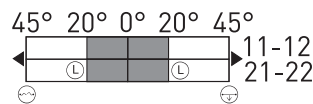
- Release by push button
- Wire pull and breakage function

Dimensions

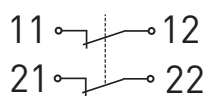


Switching diagram

Snap action
2 NC contacts




Contact diagram



Note:

At 4 m distance intermediate wire supports are required. Two tension springs type RZ-156l must be installed, see accessories.

Technical data

Standards	EN ISO 13849-1; IEC/EN 60947-5-1; IEC/EN 60947-5-5; EN 418
Enclosure Cover	aluminium die-cast, enamel finish glass-fibre reinforced, shock-proof thermoplastic, ultramid
Degree of protection	IP 65 to IEC/EN 60529
Contact material	silver
Switching elements	2 NC contacts with double break
Switching system	snap action, positive break NC contacts ⊖
Connection	screw terminals
Cable section	max. 2.5 mm ² (incl. conductor ferrules)
Cable entry	2 x M20 x 1.5
B _{10d} (10% Load)	200.000
T _M	max. 20 years
U _{imp}	6 kV
U _i	400 V
I _{the}	6 A
Utilisation category	AC-15
I _e /U _e	6 A/400 VAC
Max. fuse rating	6 A gL/gG D-fuse
Ambient temperature	-25 °C ... +70 °C
Mech. life	> 100.000 operations
Max. wire length	2 x 50 m
Features	wire pull and breakage function
Approvals	
Weight	780g

Errors and omissions excepted.