

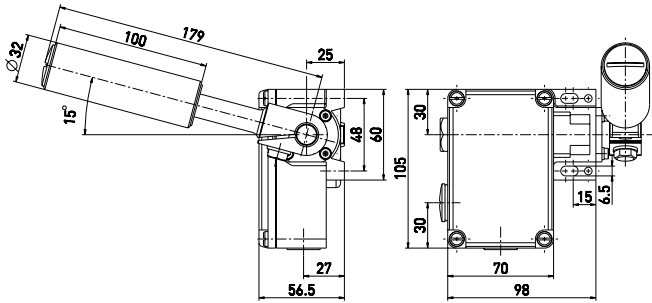
## Belt-alignment switch

// ZS 73 SR 10/1S Order no.: 73131001

### Features/Options

- Metal enclosure
- 2 contacts
- Belt-alignment roller stainless steel 1.4104
- without mechanical latching

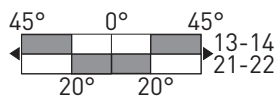
### Dimensions



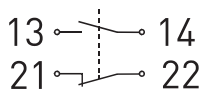
### Switching diagram

#### Snap action

1 NC/1 NO contact  
without latching



### Contact diagram



### Technical data

Standards	IEC/EN 60947-5-1; EN ISO 13849-1
Enclosure	aluminium die-cast, enamel finish;
Cover	glass-fibre reinforced, shockproof thermoplastic, ultramid
Degree of protection	IP 65 to IEC/EN 60529
Contact material	silver
Switching elements	change-over contact with double break
Switching system	snap action, positive break NC contacts ⊖
Connection	screw terminals
Cable section	max. 2.5 mm <sup>2</sup> (incl. conductor ferrules)
Cable entry	2 x M20 x 1.5
B <sub>10d</sub> (10% Load)	2 million
T <sub>M</sub>	max. 20 years
U <sub>imp</sub>	6 kV
U <sub>i</sub>	400 V
I <sub>the</sub>	6 A
Utilisation category	AC-15
I <sub>e</sub> /U <sub>e</sub>	6 A/400 VAC
Max. fuse rating	6 A gL/gG D-fuse
Ambient temperature	-25 °C ... +70 °C
Mech. life	> 1 million operations
Approvals	

Errors and omissions excepted.