

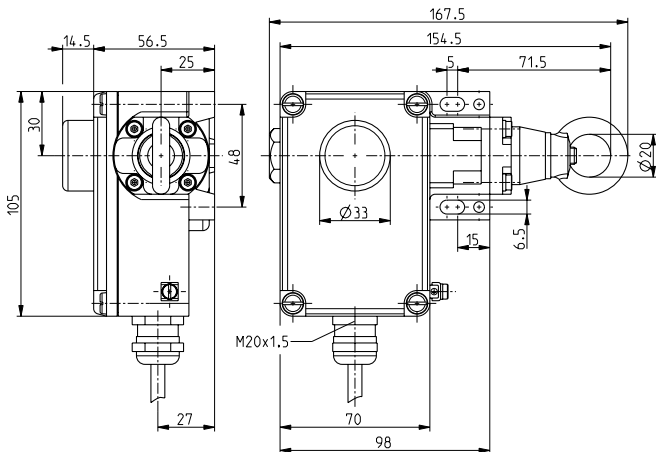
Ex emergency pull-wire switches // Ex ZS 73 1Ö/1S VD / 120-180 N Order no.: 73041306

Features/Options

- Ex zone 1 and 21
- 2 contacts
- Wire length up to 20 m

- Wire pull and breakage detection
- N.B.: Please state required approvals for Russia, China and Brazil with your order!

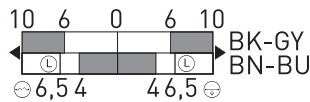
Dimensions



Switching diagram

Slow action

1 NC/1 NO contact



Technical data

Standards	EN 60947-5-1, -5; EN 60079-0, EN 60079-1, EN 60079-31; EN ISO 13849-1
Enclosure Cover	aluminium die-cast, enamel finish glass-fibre reinforced, shock-proof thermoplastic, ultramid
Switch insert	Ex 14
Degree of protection	IP 54 to IEC/EN 60529
Contact material	silver
Switching system	slow action, positive break NC contacts ⊖
Switching elements	change-over contact with double break
Connection	cable H05VV-F, length 3m
B_{10d} (10% Load)	200.000
T_M	max. 20 years
Cable section	4 x 0.75 mm ² (incl. conductor ferrules)
U_{imp}	4 kV
U_i	250 V
I_{the}	T6: 6 A, T5: 3 A
Utilisation category	AC-15, DC-13
I_e/U_e	6 A/250 VAC, 0.25 A/230 VDC
Max. fuse rating	6 A gL/gG D-fuse
Ambient temperature	T6: -20 °C ... +65 °C; T5: -20 °C ... +95 °C
Mechanical life	> 100.000 operations
Max. wire length	20 m
Features	wire pull and breakage function
Ex certification	⊕ II 2G Ex d IIC T6/T5 Gb, ⊕ II 2D Ex tb IIIC T80°C/T95°C Db IP65 IECEx Ex d IIC T6/T5 Gb, Ex tb IIIC T80°C/T95°C Db PTB 11 ATEX 1003 X, IECEx PTB 06.0034 X
Approvals	



Errors and omissions excepted.