

Radio position switch

// RF 96 WPH EN868 Order no.: 66200201

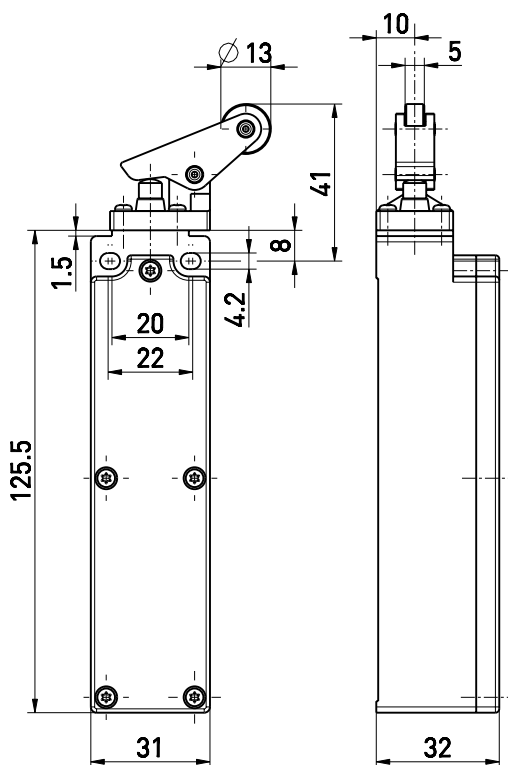
Features/Options

- Mountings to DIN EN 50 047
- Output signal to be configured individually at the receiver
- EnOcean-protocol
- Data rate 120 kbps
- No power supply, no wiring and pipe laying required
- Multi-network capable
- Easy programming of receiver

- Actuator: Parallel roller lever WPH
- Actuating speed max. 0.5 m/s with an actuating angle of $\alpha = 30^\circ$
- Actuator with watertight collar
- Wear-resistant thermoplastic roller
- Actuator heads can be repositioned in 4 x 90° steps
- Actuation parallel to axis of switch from below

Note: Metal roller available on request

Dimensions



Technical Data

Standards	EN 60947-5-1; EN 61000-6-2; EN 301 489-1; EN 301 489-3; EN 300 220-2
Enclosure	Glassfibre reinforced thermoplastic, self-extinguishing UL 94-V0
Cover	Glassfibre reinforced thermoplastic, self-extinguishing UL 94-V0
Degree of protection	IP 67 per IEC/EN 60529
Protocol	EnOcean
Ambient temperature	-20 °C ... +65 °C
Switching frequency	approx. 9000 telegrams at repetitions/h
Voltage supply	Lithium battery
Capacitance	approx. 8.5 Ah
Frequency	868.3 MHz
Transmission power	max. 10 mW
Modulation process	ASK
Telegram type	RPS type 2
Data rate	120 kbps
Bandwidth channel	280 kHz
Sensing range	max. 300 m outside, max. 30 m inside
Mechanical life	> 1 million operations
Actuating time	min. 80 ms
Note	status signal adjustable ex factory, transmission of battery voltage

Approvals



Errors and omissions excepted.