

Ex pull-wire switches

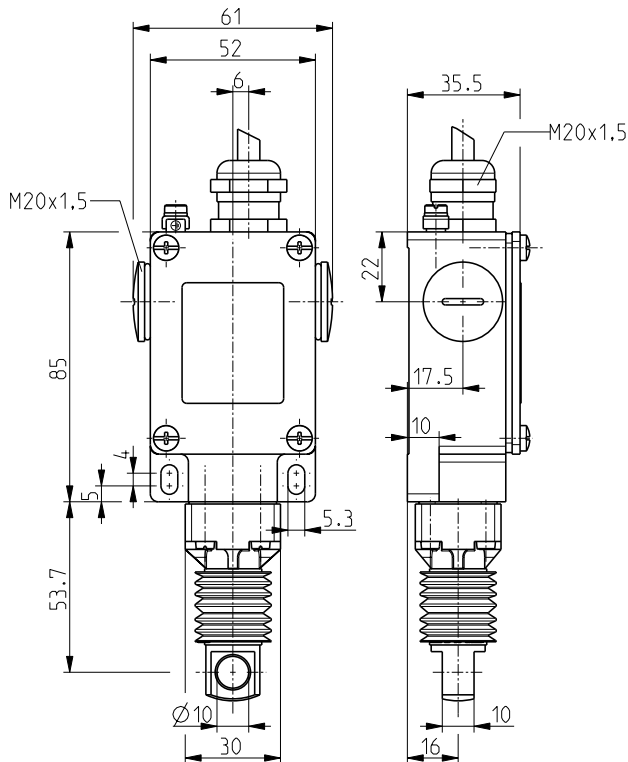
// Ex 61 WZ 1Ö/1S Order no.: 61042301

Features/Options

- Ex zone 1 and 21
- Metal enclosure
- Wall mounting

- 2 contacts
- Pull-wire function
- N.B.: Please state required approvals for Russia, China and Brazil with your order!

Dimensions



Technical data

Standards

EN 60947-5-1; EN 1088;
EN 60079-0, EN 60079-1,
EN 60079-31; EN ISO 13849-1

Enclosure

aluminium die-cast, enamel finish
steel, enamel finish

Cover

steel, enamel finish

Switch insert

Ex 14

Degree of protection

IP 65 to IEC/EN 60529

Contact material

silver

Switching system

slow action, positive break

Switching elements

NC contact \ominus

change-over contact

Form C

Connection

cable H05VV-F

Cable section

4 x 0,75 mm²

Cable length

3 m

B_{10d} (10 % load)

2 million

T_M

max. 20 years

U_{imp}

4 kV

U_i

250 V

I_{the}

T6: 6 A; T5: 3 A

I_e/U_e

6 A/250 VAC; 0,25 A/230 VDC

Utilisation category

AC-15, DC-13

Max. fuse rating

6 A gL/gG D-fuse

Ambient temperature

T6: -20 °C ... +65 °C;

T5: -20 °C ... +95 °C

Mechanical life

> 1 million operations

Switching frequency

1800/h

Repeat accuracy

± 0,1 mm

Contact gap

max. 2 x 4.5 mm

Ex certification

⊕ II 2G Ex d IIC T6/T5 Gb,

⊕ II 2D Ex tb IIIC

T80°C/T95°C Db

IECEX Ex d IIC T6/T5 Gb,

Ex tb IIIC T80°C/T95°C Db

Approvals

PTB 03 ATEX 1069 X (referring to the switch insert)



Errors and omissions excepted.