

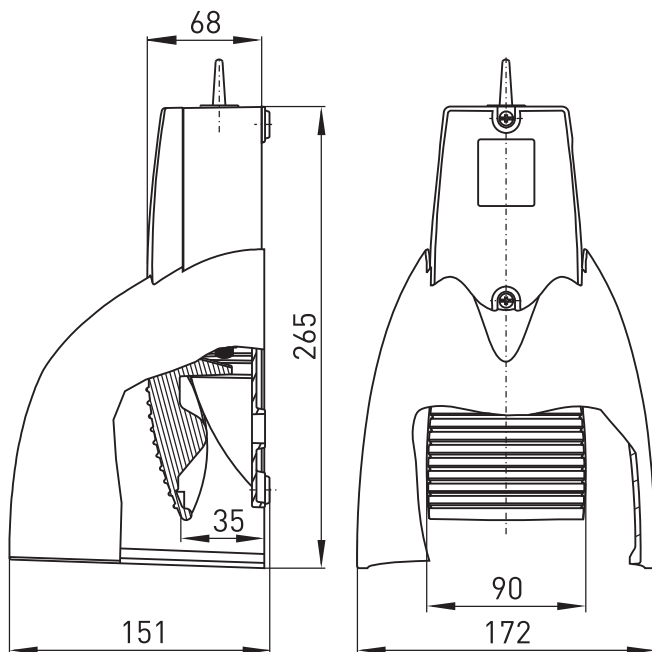
Radio foot switch // RF GFSI EN868 Order no.: 53291001

Features/Options


- Available with special finish in RAL colour tones
- Output signal to be configured individually at the receiver
- EnOcean-protocol

- Data rate 120 kbps
- No power supply, no wiring and pipe laying required
- Multi-network capable

Dimensions



Technical Data

Standards	EN 60947-5-1; EN 61000-6-2; EN 301 489-1; EN 301 489-3; EN 300 220-2
Enclosure	Aluminium die-cast, enamel finish, RAL 5011
Pedal	Aluminium die-cast, enamel finish, RAL 5011
Protective shield	Aluminium die-cast, enamel finish, RAL 2004
Degree of protection	IP 67 per IEC/EN 60529
Protocol	EnOcean
Ambient temperature	-20 °C ... +65 °C
Switching frequency	approx. 9000 telegrams at repetitions/h
Voltage supply	Electrodynamic energy generator
Frequency	868.3 MHz
Transmission power	max. 10 mW
Data rate	120 kbps
Bandwidth channel	280 kHz
Sensing range	max. 300 m outside, max. 30 m inside
Mechanical life	> 1 million operations
Actuating time	min. 80 ms
Note	no status signal
Approvals	
Weight	1530g

Errors and omissions excepted.