

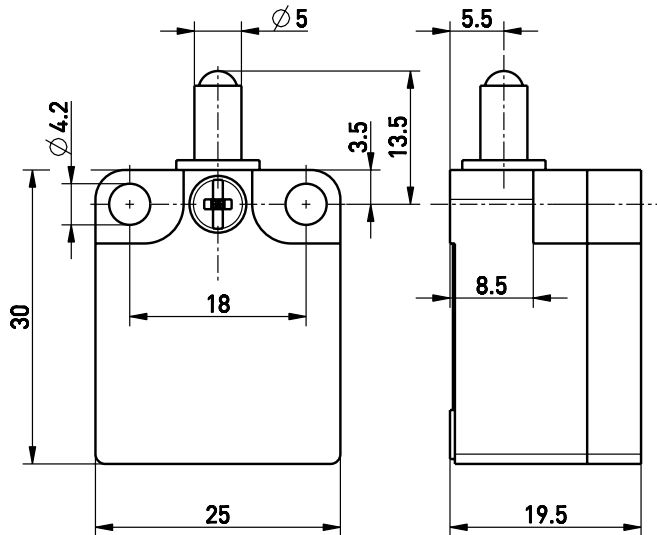
Miniature limit switches

// ES 50 1Ö/1S Order no.: 50001001

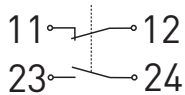
Features/Options

- Thermoplastic enclosure
- Change-over contact with double break, positive break NC contact ⊖
- Galvanically separated contact bridges
- Actuator: Plunger

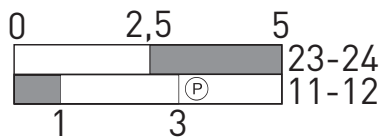
Dimensions




Contact diagram



Switching diagram



Technical data

Standards	IEC/EN 60947-5-1
Enclosure	glass-fibre reinforced, shock-proof thermoplastic, self-extinguishing UL 94-V0
Actuator	plunger: brass
Degree of protection	IP 30 to IEC/EN 60529
Soiling level	3
Contact material	silver
Switching system	slow action, positive break NC contact ⊖
Switching elements	change-over contact with double break Zb and galvanically separated contact bridges
Connection	plug-in connector
Cable section	max. 1.5 mm ²
B _{10d} (10% Load)	70.000
T _M	max. 20 years
U _{imp}	4 kV
U _i	400 V
I _{the}	4 A
I _e /U _e	4 A/400 VAC
Utilisation category	AC-15
Max. fuse rating	4 A gL/gG D-fuse
Ambient temperature	-20 °C ... +75 °C
Mechanical life	> 1 million operations
Switching frequency	1800/h
Repeat accuracy of switching points	± 0.1 mm
Impact resistance/ Contact opening	2 x 4 mm
Approvals	
Weight	30g

Errors and omissions excepted.