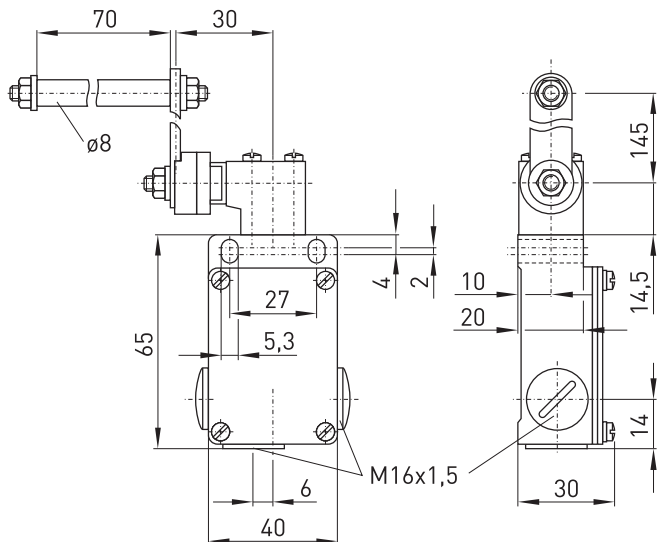


Slack-wire switch // ES 41 DB/90° 2Ö - 70 mm Order no.: 41521907

Features/Options

- Metal enclosure
- Slow 2 contacts
- Actuating roller: 70 mm long

Dimensions

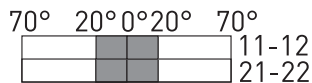


Technical data

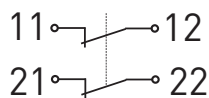
Standards	IEC/EN 60947-5-1
Enclosure	aluminium die-cast, enamel finish
Cover	steel, enamel finish
Degree of protection	IP 65 to IEC/EN 60529
Contact material	silver
Switching elements	2 NC contacts with double break
Switching system	slow action
Connection	M3.5 screw terminals
Cable section	max. 2.5 mm ² (incl. conductor ferrules)
Cable entry	3 x M16 x 1.5
U _{imp}	4 kV
U _i	400 V
I _{the}	6 A
Utilisation category	AC-15
I _e /U _e	6 A/400 VAC
Max. fuse rating	6 A gL/gG D-fuse
Ambient temperature	-20 °C ... +80 °C
Mech. life	> 1 million operations
Switching frequency	max. 1800/h

Switching diagram

Slow action
2 NC contacts



Contact diagram



Errors and omissions excepted.