

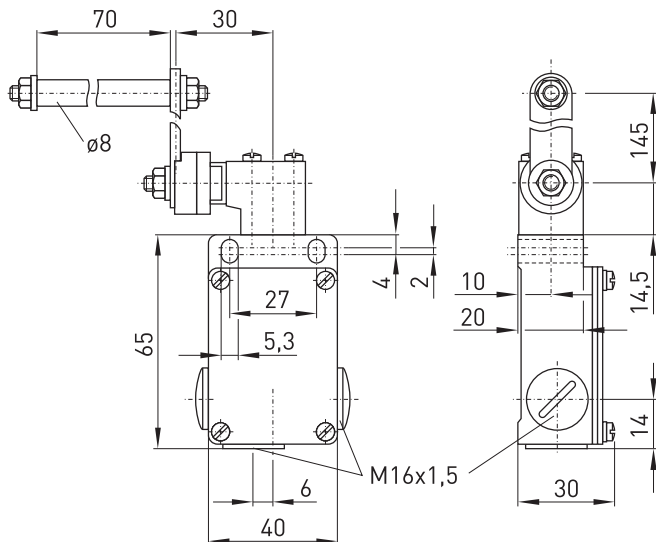
## Slack-wire switch

// EM 41 DB/90° 1Ö/1S - 70 mm Order no.: 41121920

### Features/Options

- Metal enclosure
- Snap action: 2 contacts
- Actuating roller: 70 mm long

### Dimensions



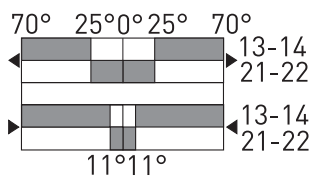
### Technical data

<b>Standards</b>	IEC/EN 60947-5-1
<b>Enclosure</b>	aluminium die-cast, enamel finish
<b>Cover</b>	steel, enamel finish
<b>Degree of protection</b>	IP 65 to IEC/EN 60529
<b>Contact material</b>	silver
<b>Switching elements</b>	change-over contact with double break
<b>Switching system</b>	snap action
<b>Connection</b>	M3.5 screw terminals
<b>Cable section</b>	max. 2.5 mm <sup>2</sup> (incl. conductor ferrules)
<b>Cable entry</b>	3 x M16 x 1.5
<b>U<sub>imp</sub></b>	4 kV
<b>U<sub>i</sub></b>	400 V
<b>I<sub>the</sub></b>	6 A
<b>Utilisation category</b>	AC-15
<b>I<sub>e</sub>/U<sub>e</sub></b>	6 A/400 VAC
<b>Max. fuse rating</b>	6 A gL/gG D-fuse
<b>Ambient temperature</b>	-20 °C ... +80 °C
<b>Mech. life</b>	> 1 million operations
<b>Switching frequency</b>	max. 1800/h

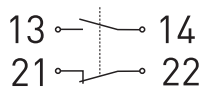
### Switching diagram

#### Snap action

1 NC/1 NO contact



### Contact diagram



Errors and omissions excepted.