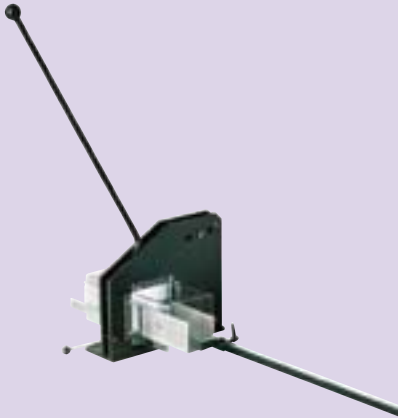


# Trimming units

## Wiring duct cutter



### Features

- Without chips
- Low noise level
- Without polluting residues
- Cutting without scraps and burr-free without rework

### Product Description

- Integrated safety cover for cutter blades

### Technical Data

- For cutting wiring ducts and covers
- Width min. 0.59"

- Width max. 4.92"

- Height max. 5.12"

Further technical information → below

### Scope of Delivery

- 1 Piece
- Length stop 39.37"

### Accessories

- Length stop → below
- Set of replacement cutter blades → below

Description	Weight		Order No.
	kg	lbs	
Wiring duct cutter	20	44.1	2677-0100-01-00

## Accessories

### Length stop



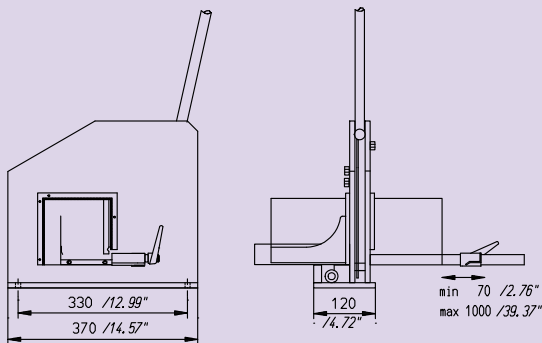
Description	Order No.
For cutting, with base support	2677-0700-02-00

### Set of replacement cutter blades



Description	Order No.
For wiring duct cutter Consisting of upper and lower blade	2677-0300-05-00

## Technical Information



Dimensions