



## Ex Safety sensors

// Ex RC Si 56 10/1S - 5m Order no.: 25603502

### Features/Options

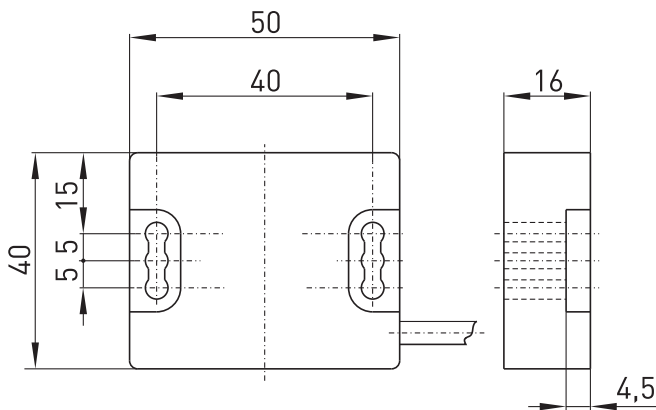
- Ex zone 1 and 21
- Thermoplastic enclosure
- Long life
- Reed contacts, coded

- Actuation from front
- Switching distance up to 7 mm
- N.B.: Please state required approvals for Russia and China with your order!

### Note

The actuator is not included with the switches.

### Dimensions



### Technical data

#### Standards

EN ISO 13849-1;  
IEC/EN 60947-5-3 / PDF-M\*;  
EN 954-1; EN 1088;  
EN 60079-0; EN 60079-18;  
EN 61241-0; EN 61241-1

#### Enclosure

glass-fibre reinforced  
thermoplastic, self-extinguishing,  
A3XZG5

#### Degree of protection

IP 67 according to IEC/EN 60529

#### Switching system

Reed contacts

#### Contact types

1 NC/1 NO contact

#### Connection

Pre-wired cable 4 x AWG 24 UL

#### Cable length

5 m

#### $B_{10d}$ (10% Load)

1 million

#### $T_M$

max. 20 years

#### $MTTF_d$

>100 years

#### $I_e/U_e$

max. 125 mA / 24 VDC

#### switching voltage

max. 30 VDC

#### Voltage drop at $I_e$

2.5 V

#### Switching frequency

max. 5 Hz

#### Ambient temperature

T6: -20 °C ... +70 °C;  
T5: -20 °C ... +85 °C

#### Mechanical life

> 10 million operations

#### Repeatability

< 0.5 mm

#### Operating distances:

$s_{max}$

6 mm

$s_{ao}$

4 mm

$s_{ar}$

23 mm

#### Ex marking

⊕ II 2G Ex mb II T6/T5,

⊕ II 2D Ex tD A21 IP67

T80°C/T95°C

IECEx Ex mb II T6/T5,

Ex tD A21 IP67 T80°C/T95°C

PTB 08 ATEX 2027 X

IECEx PTB 08.0042 X

#### Approvals

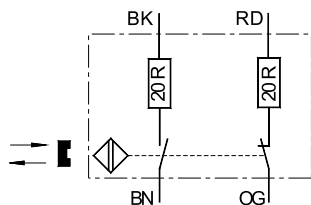


Errors and omissions excepted.

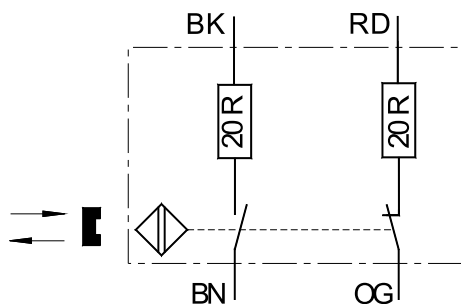
### Switching diagram

#### Reed contacts, coded

1 NC/1 NO contact



### Contact diagram





## Ex Safety sensors

// Ex RC Si 56 10/1S - 5m Order no.: 25603502

### Axial Misalignment

