



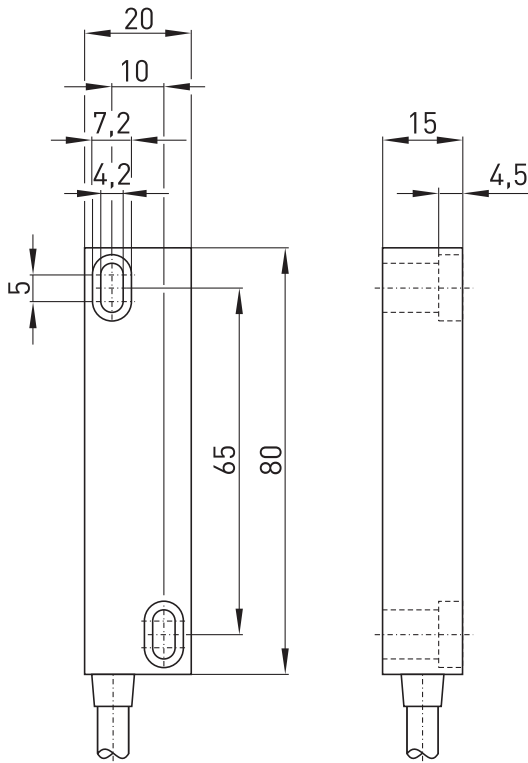
Magnetic sensors, rectangular form // RC 42 1Sr-1m Order no.: 24240101

Features/Options

- Thermoplastic enclosure
- Long life
- 1 Reed contact

- Actuation from front and from side
- Switching distance up to 33 mm depending on the actuating magnet
- With pre-wired cable

Dimensions



Technical data

Standards	IEC/EN 60947-5-1
Enclosure	glass-fibre reinforced polyamide
Actuator	Series M permanent magnet
Degree of protection	IP 67 gem. IEC/EN 60529
Contact material	Rhodium
Switching system	Reed contacts
Contact types	bistable contact
Connection	lead-free pre-wired cable, PVC H05VV-F
Cable section	2 x 0,5 mm ²
Cable length	1m
Switching voltage	max. 250 VAC/DC
Switching current	2 A
Switching capacity	max. 50 VA/ W
Switching frequency	max. 200 Hz
Ambient temperature	-10 °C ... +80 °C
Mechanical life	10 ⁹ operations
Electrical life	10 ⁹ operations
Repeat accuracy	± 0,02 mm
Resistance to vibrations	20 g

Errors and omissions excepted.

Contact variants

actuation from side

1 NO contact
RC 42 1Sr-1m

