

Ex magnetic sensors

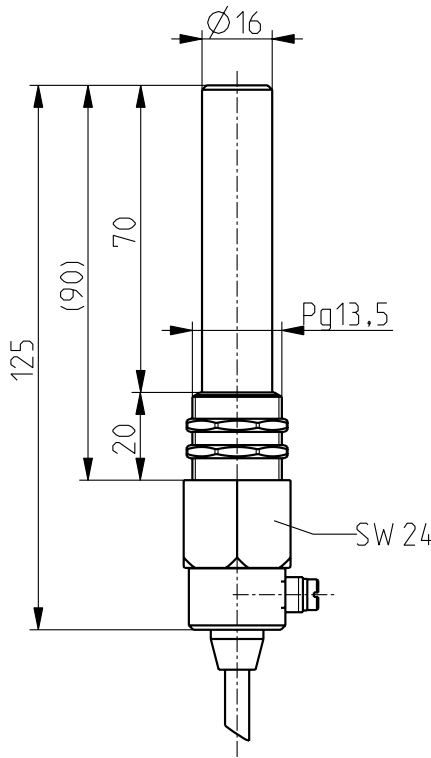
// Ex RC 13,5 1S 5m Order no.: 21323501

Features/Options




- Ex zone 1 and 21
- Brass enclosure, nickered
- Long life
- 1 Reed contact

- Actuation from front
- Switching distance up to 30 mm, depending on the actuating magnet
- With pre-wired cable
- N.B.: Please state required approvals for Russia, China and Brazil with your order!

Dimensions



Technical data

Standards	EN 60947-5-2; EN 60079-0; EN 60079-18; EN 61241-0; EN 61241-1
Enclosure	brass, nickered
Actuator	series M permanent magnet
Degree of protection	IP 67 to EN 60529
Contact material	silver
Switching system	reed contacts
Contact types	NO contact
Connection	cable, H05VV-F
Cable section	3 x 0.75 mm ²
Cable length	5m
Switching voltage	250 V
Switching current	1.5 A
Switching capacity	max.100 VA/W
Utilisation category	AC-15, DC-13
Bounce duration	0.3 ... 0.6 ms
Ambient temperature	-20 °C ... +70 °C
Mechanical life	> 1 million operations
Electrical life	10 ⁶ ... 10 ⁹ operations
Resistance to vibrations	50 ... 100 g
Ex certification	Ⓢ II 2G Ex mb II T ₆ , Ⓢ II 2D Ex tD A21 IP67 T80°C IECEx Ex mb II T ₆ , Ex tD A21 IP67 T80°C DMT 01 ATEX E 058 X, IECEx BVS 07.0007 X
Approvals	  

Switching diagram

Actuation from front

1 NO contact



Errors and omissions excepted.