

## Ex magnetic sensors

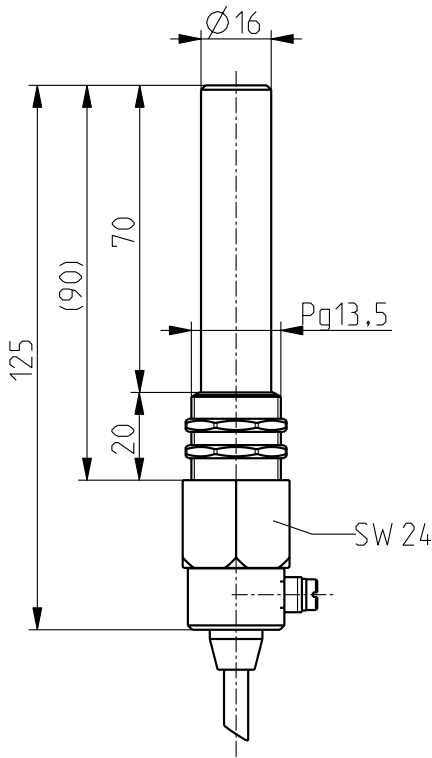
// Ex RC 13,5 1S 2m Order no.: 21323201

### Features/Options




- Ex zone 1 and 21
- Brass enclosure, nickered
- Long life
- 1 Reed contact

- Actuation from front
- Switching distance up to 30 mm, depending on the actuating magnet
- With pre-wired cable
- N.B.: Please state required approvals for Russia, China and Brazil with your order!

### Dimensions



### Technical data

<b>Standards</b>	EN 60947-5-2; EN 60079-0; EN 60079-18; EN 61241-0; EN 61241-1
<b>Enclosure</b>	brass, nickered
<b>Actuator</b>	series M permanent magnet
<b>Degree of protection</b>	IP 67 to EN 60529
<b>Contact material</b>	silver
<b>Switching system</b>	reed contacts
<b>Contact types</b>	NO contact
<b>Connection</b>	cable, H05VV-F
<b>Cable section</b>	3 x 0.75 mm <sup>2</sup>
<b>Cable length</b>	2m
<b>Switching voltage</b>	250 V
<b>Switching current</b>	1.5 A
<b>Switching capacity</b>	max.100 VA/W
<b>Utilisation category</b>	AC-15, DC-13
<b>Bounce duration</b>	0.3 ... 0.6 ms
<b>Ambient temperature</b>	-20 °C ... +70 °C
<b>Mechanical life</b>	> 1 million operations
<b>Electrical life</b>	10 <sup>6</sup> ... 10 <sup>9</sup> operations
<b>Resistance to vibrations</b>	50 ... 100 g
<b>Ex certification</b>	Ⓢ II 2G Ex mb II T6, Ⓢ II 2D Ex tD A21 IP67 T80°C IECEx Ex mb II T6, Ex tD A21 IP67 T80°C DMT 01 ATEX E 058 X, IECEx BVS 07.0007 X
<b>Approvals</b>	  

### Switching diagram

Actuation from front

1 NO contact



Errors and omissions excepted.