



## Ex Safety sensors

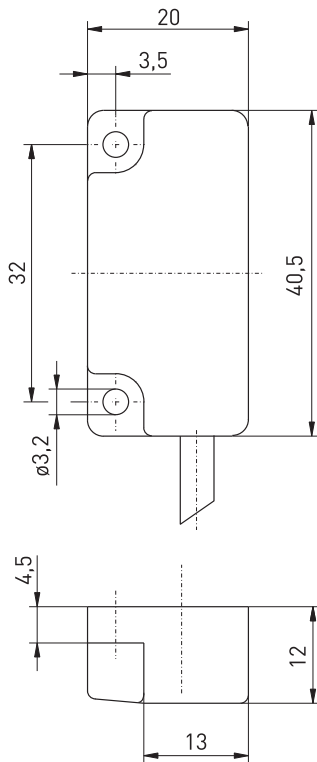
// Ex HS Si 4 2Ö - 2m Order no.: 20473201

### Features/Options

- Ex zone 1 and 21
- Thermoplastic enclosure
- Hall elements, coded
- Actuation from front

- Switching distance up to 8 mm
- The actuator is not included in the delivery of the switches
- N.B.: Please state required approvals for China with your order!

### Dimensions



### Technical data

Standards	EN 60079-0; EN 60079-18; EN 61241-0; EN 61241-18; EN 60947-5-3 /PDF-M*; EN 1088; EN ISO 13849-1
Enclosure	glass-fibre reinforced thermoplastic, self-extinguishing, A3XZG5
Actuator	actuator Ex MC 4 order No. 05.00.8222
Degree of protection	IP 67 to IEC/EN 60529
Switching system	hall sensor, 2 galvanically separated channels,
Connection	2 NC contacts cable 6 x AWG 26
$T_M$	max. 20 years
$MTTF_d$	>100 years
Utilisation category	DC-13, DC-12
Switching voltage	24 VDC
Switching current	max. 40 mA per channel
Switching capacity	max. 1.2 W
Max. fuse rating	
Switching frequency	max. 1000 Hz
Ambient temperature	-20 °C ... +60 °C
Operating distances:	
$S_{max}$	8 mm
$S_{ao}$	6 mm
$S_{ar}$	20 mm
Axial misalignment	max. 4 mm
Ex-marking	⊕ II 2G Ex mb II T6, ⊕ II 2D Ex mbD 21 T80°C IECEX Ex mb II T6
Approvals	BVS 08 ATEX E150 X; IECEX BVS 08.0054X



Errors and omissions excepted.