



## Ex position switches

// ExM 14 DL Order no.: 14723301

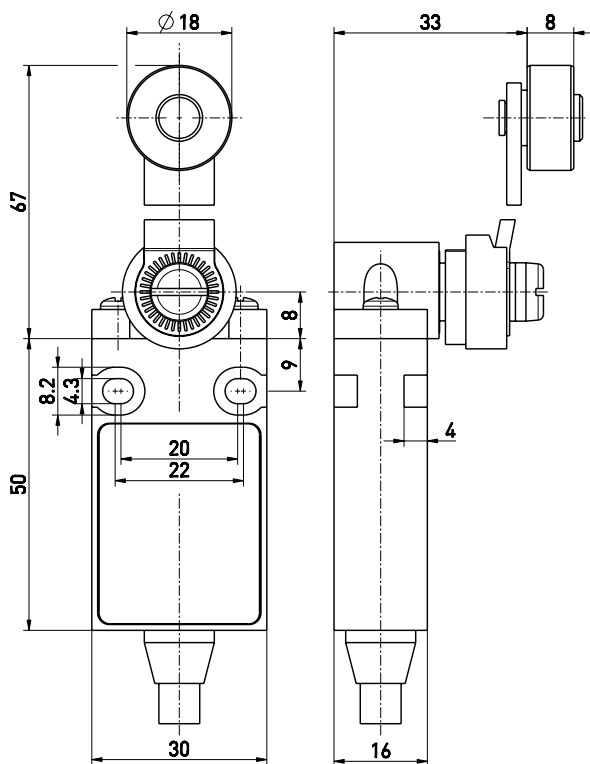
### Features/Options

- Ex-zone 1 and 21
- Thermoplastic enclosure
- Double insulation
- Snap action, change-over contact with single break
- Mounting details to DIN EN 50 047
- Suitable for in-line mounting
- With pre-wired cable, cable length 1 metre

- Actuator: Long roller lever DL
- Actuating speed max. 0.5 m/s with an actuating angle of 45°
- Wear-resistant thermoplastic roller
- Lever can be repositioned in 10° steps clockwise or counter-clockwise
- Actuator can be repositioned by 180°
- N.B.: Please state required approvals for Russia and China with your order!

Note: With metal roller available on request

### Dimensions



### Technical data

Standards	EN 60947-5-1; EN 1088; EN 60079-0, EN 60079-1, EN 60079-31
Enclosure	glass-fibre reinforced, shock-proof thermoplastic, self-extinguishing UL 94-V0
Degree of protection	IP 65 to IEC/EN 60529
Contact material	silver
Switching system	snap action
Switching elements	change-over contact with single break C
Connection	cable H05VV-F, 3 x 0.75 mm <sup>2</sup>
$U_{imp}$	4 kV
$U_i$	250 V
$I_{the}$	T6: 5 A; T5: 3 A
$I_e/U_e$	5 A/250 VAC, 0.16 A/230 VDC
Utilisation category	AC-15, DC-13
Max. fuse rating	5 A gL/gG D-fuse
Ambient temperature	T6: -20 °C ... +60 °C, T5: -20 °C ... +95 °C
Mechanical life	> 1 million operations
Switching frequency	1800/h
Repeat accuracy	±0.1 mm
Contact gap	max. 2 x 4 mm
Note	Switch must be protected from mechanical damage!
Ex marking	⊕ II 2G Ex d IIC T6/T5 Gb, ⊕ II 2D Ex tb IIIC T80°C/T90°C Db IP65 IECEX Ex d IIC T6/T5 Gb, Ex tb IIIC T80°C/T90°C Db IP65
Approvals	PTB 03 ATEX 1069 X



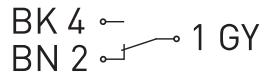
Errors and omissions excepted.



## Ex position switches

// ExM 14 DL Order no.: 14723301

### Contact diagram



### Switching diagram

