



Emergency pull-wire switch Extreme ZS 92 S 22 VD F -40°C ... +85°C IP66/67 Extreme Material number: 1457232

Features/Options:

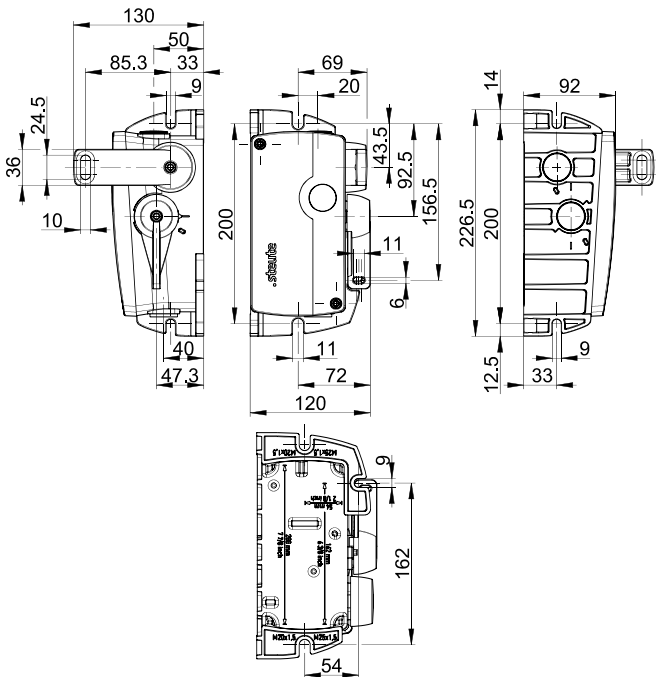
- Temperature resistant from -40 °C to +85 °C
- High degree of protection IP 66 / IP 67 / IP 69
- Corrosion-resistant aluminium enclosure
- Screws made of stainless steel
- Wire length up to 2 x 100 m

- Release by lever
- F = Reset lever at the front side
- Back and base mounting possibility
- Wire pull and breakage detection

Notes

- At 3 m distance intermediate wire supports are required. Two compensation springs type ZS 90/91/92 S must be installed, see accessories.

Dimensions



Technical data

Applied standards	EN 60947-5-1; EN 60947-5-5; EN ISO 13850; EN ISO 13849-1; EN 620; AS 1755-2000-2.7.9.1; AS/NZS 4024.3610:2015-2.10.6.2
Enclosure	corrosion-resistant aluminium, powdercoated, passivated, shock-proof, anthracite grey, similar to RAL 7016
Cover	corrosion-resistant aluminium, powdercoated, passivated, shock-proof, signal yellow, similar to RAL 1003
Actuating lever	corrosion-resistant aluminium, powdercoated, passivated, shock-proof, signal red, similar to RAL 3001
Reset lever	corrosion-resistant aluminium, powdercoated, passivated, shock-proof, sky blue, similar to RAL 5015
Screws	stainless steel 1.4301
Tightening torque	cover screws: max. 2.5 Nm actuator screws: max. 6 Nm
Degree of protection	IP 66/67/69 to IEC/EN 60529
Contact material	silver
Switching system	snap action, positive break NC contacts ⊖
Switching elements	2 NC/2 NO contacts, type Zb
Connection	screw connection terminals
Cable cross-section	max. 2.5 mm ² (incl. conductor ferrules)
Cable entry	2 x M25 x 1.5

Errors and omissions excepted.



Emergency pull-wire switch Extreme ZS 92 S 22 VD F -40°C ... +85°C IP66/67 Extreme Material number: 1457232

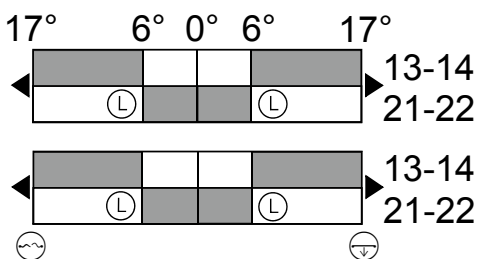
Technical data

B_{10d} (10 % load)	100 000
T_M	max. 20 years
Rated impulse withstand voltage U_{imp}	6 kV
Rated operating isolation voltage U_i	400 V
Conventional thermal current I_{the}	6 A
Conditional short-circuit current	1100 A
Rated operating current/voltage I_e/U_e	6 A/400 VAC
Utilisation category	AC-15
Max. fuse rating	6 A gG/gN fuse
Mechanical life	> 50 000 operations
Max. wire length	2 x 100 m
Ambient temperature	-40 °C ... +85 °C
Actuating force	actuating lever approx. 30 N; reset lever approx. 40 N

Approvals



Switching diagram



Contact diagram

