



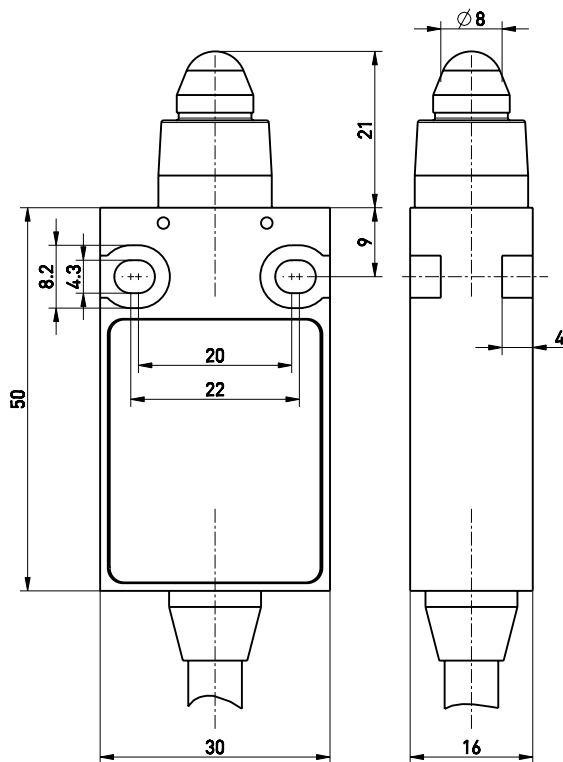
## Ex position switches // ExM 14 WKU 10/1S Order no.: 14104302

### Features/Options

- Ex-zone 1 and 21
- Thermoplastic enclosure
- Double insulation
- Snap action, change-over contact with double break
- Mounting details to DIN EN 50 047
- Suitable for in-line mounting
- With pre-wired cable, cable length 1 metre

- Actuator: Ball plunger with collar WKU
- Actuating speed max. 0.5 m/s with an actuating angle of 20°
- Can be actuated in line with or from side of switch axis
- Actuator head with captive stainless steel ball actuator
- Exact repeatability of switching point
- Collar to protect against the entry of foreign bodies
- N.B.: Please state required approvals for Russia with your order!

### Dimensions



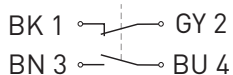
### Technical data

<b>Standards</b>	EN 60947-5-1; EN 1088; EN 60079-0, EN 60079-1, EN 60079-31
<b>Enclosure</b>	glass-fibre reinforced, shock-proof thermoplastic, self-extinguishing UL 94-V0 IP 65 to IEC/EN 60529
<b>Degree of protection</b>	
<b>Contact material</b>	silver
<b>Switching system</b>	snap action
<b>Switching elements</b>	change-over contact with double break Za
<b>Connection</b>	cable H05VV-F, 4 x 0.75 mm <sup>2</sup>
<b>U<sub>imp</sub></b>	4 kV
<b>U<sub>i</sub></b>	250 V
<b>I<sub>the</sub></b>	T6: 5 A; T5: 3 A
<b>I<sub>e</sub>/U<sub>e</sub></b>	5 A/250 VAC, 0.2 A/230 VDC
<b>Utilisation category</b>	AC-15, DC-13
<b>Max. fuse rating</b>	5 A gL/gG D-fuse
<b>Ambient temperature</b>	T6: -20 °C ... +65 °C, T5: -20 °C ... +95 °C
<b>Mechanical life</b>	> 1 million operations
<b>Switching frequency</b>	1800/h
<b>Repeat accuracy</b>	±0.1 mm
<b>Contact gap</b>	max. 2 x 4 mm
<b>Note</b>	Switch must be protected from mechanical damage!
<b>Ex marking</b>	⊕ II 2G Ex d IIC T6/T5 Gb, ⊕ II 2D Ex tb IIIC T80°C/T90°C Db IP65 IECEX Ex d IIC T6/T5 Gb, Ex tb IIIC T80°C/T90°C Db IP65
<b>Approvals</b>	PTB 03 ATEX 1006 X



Errors and omissions excepted.

### Contact diagram



### Switching diagram

