



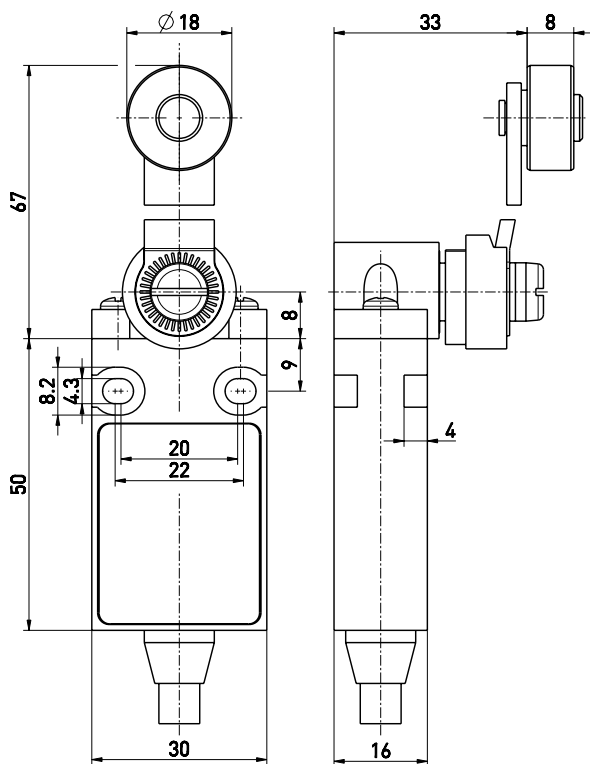
## Ex position switches with safety function // Ex 14 DL 10/1S Order no.: 14023301

### Features/Options

- Ex-zone 1 and 21
  - Thermoplastic enclosure
  - Double insulation
  - Slow action  $\ominus$ , change-over contact with double break
  - Mounting details to DIN EN 50 047
  - Suitable for in-line mounting
  - With pre-wired cable, cable length 1 metre
- Actuator: Long roller lever DL
  - Actuating speed max. 0.5 m/s with an actuating angle of 45°
  - Wear-resistant thermoplastic roller
  - Lever can be repositioned in 10° steps clockwise or counter-clockwise
  - Actuator can be repositioned by 180°
  - N.B.: Please state required approvals for Russia, China and Brazil with your order!

Note: With metal roller available on request

### Dimensions



### Technical data

Standards	EN 60947-5-1; EN 1088; EN 60079-0, EN 60079-1, EN 60079-31; EN ISO 13849-1
Enclosure	glass-fibre reinforced, shock-proof thermoplastic, self-extinguishing UL 94-V0 IP 65 to IEC/EN 60529
Degree of protection	silver
Contact material	slow action
Switching system	change-over contact with double break Zb, galvanically separated contact bridges, positive break NC contacts $\ominus$
Switching elements	cable H05VV-F, 4 x 0.75 mm <sup>2</sup>
Connection	2 million
B <sub>10d</sub> (10% Load)	max. 20 years
T <sub>M</sub>	4 kV
U <sub>imp</sub>	250 V
U <sub>i</sub>	T6: 6 A; T5: 3 A
I <sub>the</sub>	6 A/250 VAC, 0.25 A/230 VDC
I <sub>e</sub> /U <sub>e</sub>	AC-15, DC-13
Utilisation category	6 A gL/gG D-fuse
Max. fuse rating	T6: -20 °C ... +65 °C, T5: -20 °C ... +95 °C
Ambient temperature	> 1 million operations
Mechanical life	1800/h
Switching frequency	±0.1 mm
Repeat accuracy	max. 2 x 4 mm
Contact gap	Switch must be protected from mechanical damage!
Note	
Ex marking	$\text{Ex}$ II 2G Ex d IIC T6/T5 Gb, $\text{Ex}$ II 2D Ex tb IIIC T80°C/T90°C Db IP65 IECEx Ex d IIC T6/T5 Gb, Ex tb IIIC T80°C/T90°C Db IP65
Approvals	PTB 03 ATEX 1070 X IECEx PTB 06.0098X

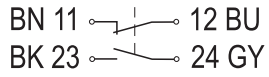


Errors and omissions excepted.



Ex position switches with safety function  
// Ex 14 DL 1Ö/1S Order no.: 14023301

## Contact diagram



## Switching diagram

