



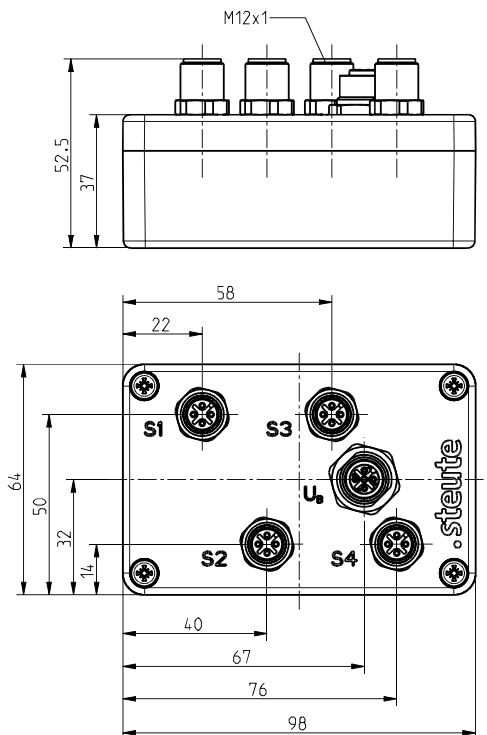
Wireless universal transmitter RF I/O SW868-4E-Vcc-ext Material number: 1362723

Features/Options

- Thermoplastic enclosure
- sWave® wireless technology
- 4 connectors: for the use with wireless sensors, series RF and/or external NO contacts with gold contacts
- No wiring and pipe laying required

- External power supply via M12 female plug-in connector
- Easy programming of receiver
- Output signal can be individually configured at the receiver

Dimensions



Technical data

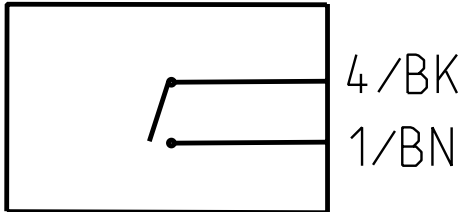
Standards	EN 60947-5-1; EN 61000-6-2; EN 301 489-1; EN 301 489-3; EN 300 220-1, EN 300 220-2
Enclosure	ABS (Acrylnitril-Butadien-Styrol)
Connection	Sensors: plug-in connector 4 x M12 x 1, 4-pole power supply: 1 x M12 female plug-in connector
Degree of protection	IP 67 to IEC/EN 60529
Protocol	sWave®
Ambient temperature	-20 °C ... +65 °C
Switching frequency	approx. 12000 telegrams at repetitions/h max. 5 Hz
Operation cycles	18 - 30 VDC Pin 1 and Pin 3 connector M12
Rated operating voltage range	U _B
Rated isolation voltage U _i	75 VDC
U _{imp}	500 V
Rated operating current I _e	2.5 mA
Voltage drop U _e U _a	- 3.5 V with 4 x 50 mA sensor current
Max. load current per sensor connection	50 mA
Switching point E1 - E4	> 5 VDC
Frequency	868.3 MHz
Transmission power	< 25 mW
Data rate	66 kbps
Channel bandwidth	266 kHz
Sensing range	max. 450 m outside, max. 40 m inside
Actuating time	min. 80 ms
Note	status signal: individually adjustable via jumper, no, 10 s, 100 s, 1000 s, 10 000 s

Errors and omissions excepted.

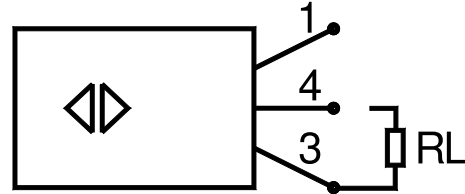


Wireless universal transmitter
RF I/O SW868-4E-Vcc-ext
Material number: 1362723

External switch contact



Sensors



Pin assignment

