



Ex position switches

// Ex 13 WHK 10/1S Order no.: 13018301

Features/Options

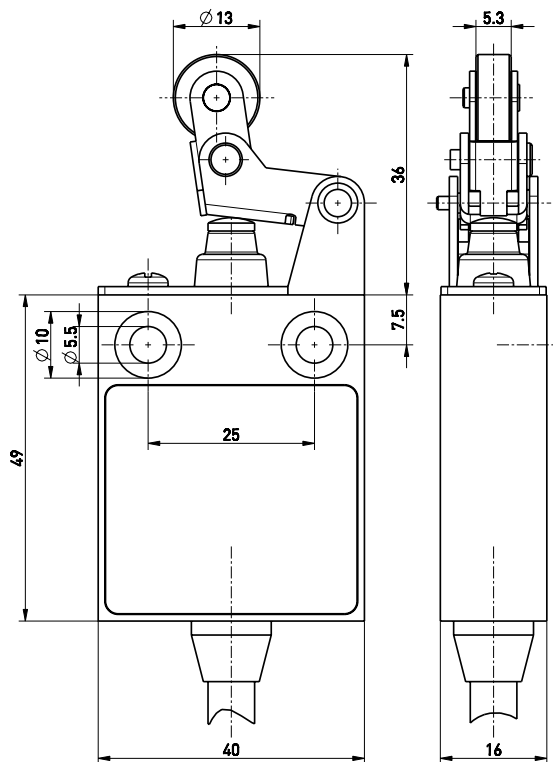
- Ex zone 1 and 21
- Thermoplastic enclosure
- Double insulation
- Slow action \ominus , change-over contact with double break
- Suitable for in-line mounting
- With pre-wired cable, cable length 1 metre
- Actuator: Rocking roller lever with collar WHK

- Actuating speed max. 0.5 m/s with an actuating angle of $\alpha = 40^\circ$
- Actuation only possible from right-hand side
- Free movement of actuator from the other side
- Metal roller
- Collar to protect against the entry of foreign bodies
- N.B.: Please state required approvals for Russia, China and Brazil with your order!

Notes

- Actuator can be repositioned by 180° on request.
- With plastic roller available on request.

Dimensions



Technical data

Standards	EN 60947-5-1; EN 1088; EN 60079-0, EN 60079-1, EN 60079-31
Enclosure	glass-fibre reinforced, shock-proof thermoplastic, self-extinguishing UL 94-V0
Degree of protection	IP 65 to IEC/EN 60529
Contact material	silver
Switching system	slow action, positive break NC contact \ominus
Switching elements	change-over contact with double break Zb, galvanically separated contact bridges
Connection	cable H05VV-F, 4 x 0.75 mm ²
Cable length	1 m
U _{imp}	4 kV
U _i	250 V
I _{the}	T6: 6 A; T5: 3 A
I _e /U _e	6 A/250 VAC; 0.25 A/230 VDC
Utilisation category	AC-15, DC-13
Max. fuse rating	6 A gL/gG D-fuse
Ambient temperature	T6: -20 °C ... +65 °C; T5: -20 °C ... +95 °C
Mechanical life	> 1 million operations
Switching frequency	1800/h
Repeat accuracy	±0.1 mm
Contact gap	max. 2 x 4 mm
Ex marking	II 2G Ex d IIC T6/T5 Gb, II 2D Ex tb IIIC T80°C/T95°C Db IP65 IECEX Ex d IIC T6/T5 Gb, Ex tb IIIC T80°C/T95°C Db IP65
Approvals	PTB 03 ATEX 1068 X IECEX PTB 06.0053 X



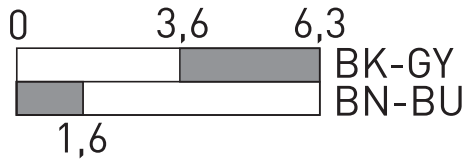
Errors and omissions excepted.



Ex position switches

// Ex 13 WHK 10/1S Order no.: 13018301

Switching diagram



Contact diagram

