

## Position switches with safety function // ES 13 WHL 10/1S-1m Order no.: 13016001

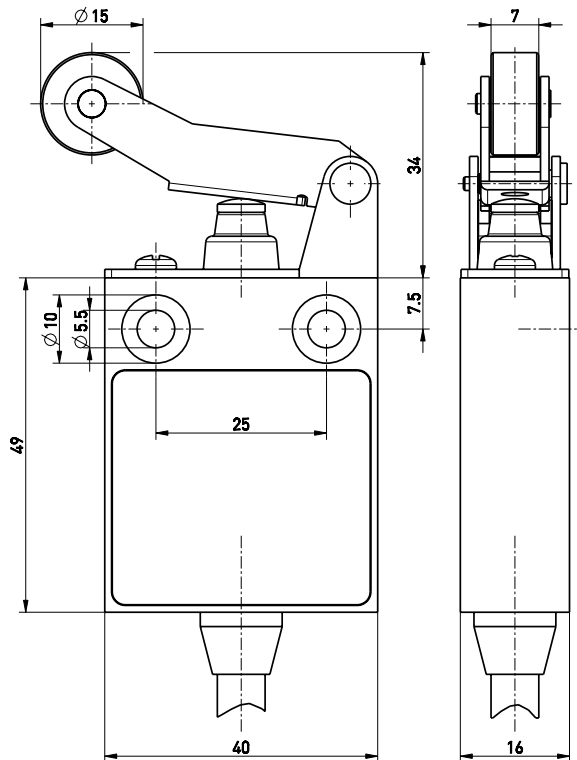
### Features/Options

- Thermoplastic enclosure
- Double insulated  $\square$
- Slow action  $\ominus$ , change-over contact with double break
- Suitable for in-line mounting
- With pre-wired cable, cable length 1 meter
- Actuator: Long roller lever with collar WHL
- Actuating speed max. 0.5 m/s with an actuating angle of  $\alpha = 40^\circ$  and  $\beta = 25^\circ$
- Metal roller
- Collar to protect against the entry of foreign bodies

### Notes

- Actuation from the left should be avoided since this reduces the mechanical life of the position switch.
- Actuator can be repositioned by  $180^\circ$  on request.
- With plastic roller available on request.

### Dimensions

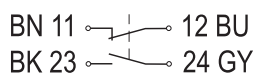


### Technical data

<b>Standards</b>	EN ISO 13849-1; IEC/EN 60947-5-1
<b>Enclosure</b>	glass-fibre reinforced, shock-proof thermoplastic, self-extinguishing UL 94-V0 IP 67 to IEC/EN 60529
<b>Degree of protection</b>	IP 67 to IEC/EN 60529
<b>Contact material</b>	Silver
<b>Switching system</b>	slow action, positive break NC contact $\ominus$
<b>Switching elements</b>	change-over contact with double break Zb, galvanically separated contact bridges
<b>Connection</b>	cable H05VV-F
<b>Cable section</b>	4 x 0.75 mm <sup>2</sup>
<b>B<sub>10d</sub> (10% Load)</b>	2 million
<b>T<sub>M</sub></b>	max. 20 years
<b>U<sub>imp</sub></b>	4 kV
<b>U<sub>i</sub></b>	250 V
<b>I<sub>the</sub></b>	6 A
<b>I<sub>e</sub>/U<sub>e</sub></b>	6 A/250 VAC; 0.25 A/230 VDC
<b>Utilisation category</b>	AC-15, DC-13
<b>Max. fuse rating</b>	6 A gL/gG D-fuse
<b>Ambient temperature</b>	-20 °C ... +75 °C
<b>Mechanical life</b>	> 1 million operations
<b>Switching frequency</b>	1800/h
<b>Repeat accuracy of switching points</b>	±0.1 mm
<b>Impact resistance/Contact opening</b>	max. 2 x 4 mm
<b>Weight</b>	160g

Errors and omissions excepted.

### Contact diagram



### Switching diagram

