



Position switch Extreme ES 98 / EM 98 -40°C IP66 Extreme

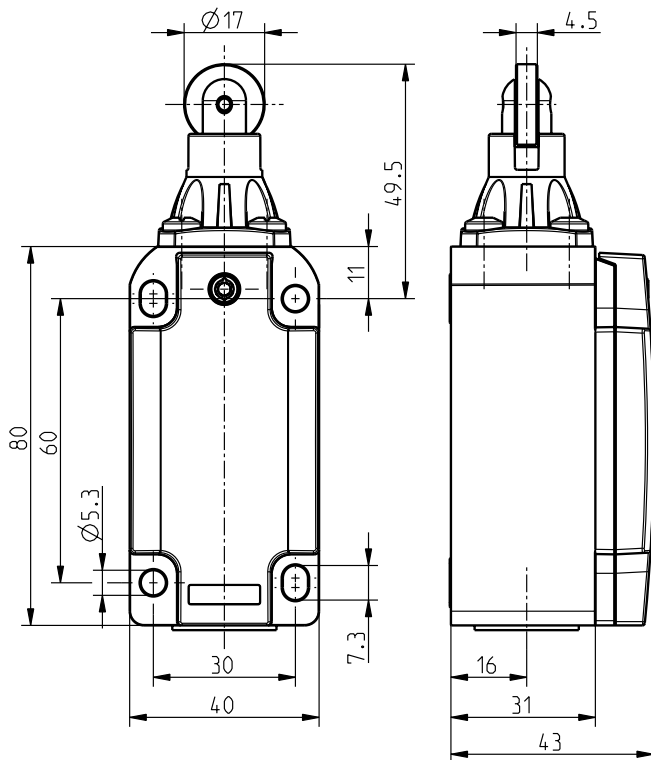
Features/Options

- Cold-resistant down to -40°C
- High degree of protection IP 66
- Metal enclosure

- Design according to EN 50041

- ES 98: Slow action \ominus , change-over contact or 2 NC/1 NO contact with double break
- EM 98: Snap action, 2 NC/1 NO contact with double break

Dimensions



Technical data

Standards	EN 60947-5-1
Design	DIN EN 50 041
Enclosure	zinc die-cast, enamel finish
Degree of protection	IP 66/67 to IEC/EN 60529
Contact material	silver
Switching system	slow or snap action, positive break
Switching elements	NC contacts \ominus to EN 60947-5-1 change-over contact or 2 NC/1 NO contact with double break Zb, galvanically separated contact bridges
Connection	plug-in connector
Cable section	2 contacts: max. 2.5 mm ² , 3 contacts: max. 1.5 mm ² (incl. conductor ferrules)
Cable entry	1 x M20 x 1.5
B _{10d} (10 % Load)	2 million
T _M	max. 20 years
U _{imp}	4 kV
U _i	400 V
I _{the}	2 contacts: 6 A, 3 contacts: 1.5 A
I _e /U _e	2 contacts: 6 A/250 VAC; 0.25 A/230 VDC 3 contacts: 1.5 A/230 VAC; 0.27 A/250 VDC
Utilisation category	AC-15; DC-13
Max. fuse rating	2 contacts: 6 A gG/gN fuse, 3 contacts: 1.5 A gG/gN fuse
Mechanical life	> 1 million operations
Frequency of operation	1800/h
Ambient temperature	-40 °C ... +60 °C
Approvals	

Errors and omissions excepted.



Position switch Extreme ES 98 / EM 98 -40°C IP66 Extreme

Ordering details

Plunger

Type

material no.

* with safety function

1189516

1188869

1188870



Roller plunger R

Type

material no.

* with safety function

1190438

on request

on request



Roller lever H

Type

material no.

* with safety function

on request

on request

on request





Position switch Extreme ES 98 / EM 98 -40°C IP66 Extreme

Ordering details

Rocking lever D

Type

material no.

* with safety function

on request

on request

on request



Adjustable rocking lever DS

Type

material no.

ES 98 DS-11 -40°C IP66 Extreme

on request

ES 98 DS-12 -40°C IP66 Extreme

on request

EM 98 DS-12 -40°C IP66 Extreme

on request

