

## Radio magnetic sensor

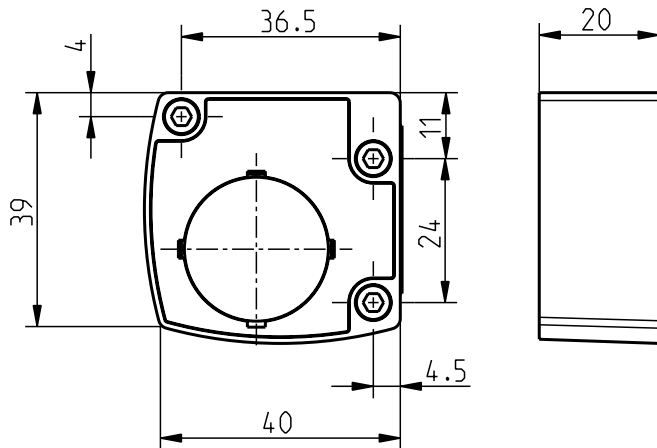
// RF RC 10 EN868 Order no.: 10720101

### Features/Options


- Output signal to be configured individually at the receiver
- EnOcean-protocol
- Data rate 120 kbps
- No power supply, no wiring and pipe laying required

- Multi-network capable
- Easy programming of receiver
- Mechanical actuation

### Dimensions



### Technical Data

Standards	EN 60947-5-1
Enclosure	Thermoplastic, Polyamid PA 66
Degree of protection	IP 67 per IEC/EN 60529
Protocol	EnOcean
Ambient temperature	- 20 °C ... + 65 °C
Reacting distance	> 10 mm
Switching element	Reedcontact
Hysteresis	< 1 mm
Switching frequency	approx. 9000 telegrams at repetitions/h
Voltage supply	Lithium-battery CR 2032 (exchangeabel)
Frequency	868.3 MHz
Transmission power	max. 10 mW
Data rate	120 kbps
Bandwidth channel	280 kHz
Sensing range	max. 150 m outside, max. 30 m inside
Mechanical life	> 1 million operations
Actuating time	min. 80 ms
Note	no status signal
Assembly actuator	min. 8 mm distance to ferromagnetic material
Actuator	Magnet M4
Approvals	

Errors and omissions excepted.