

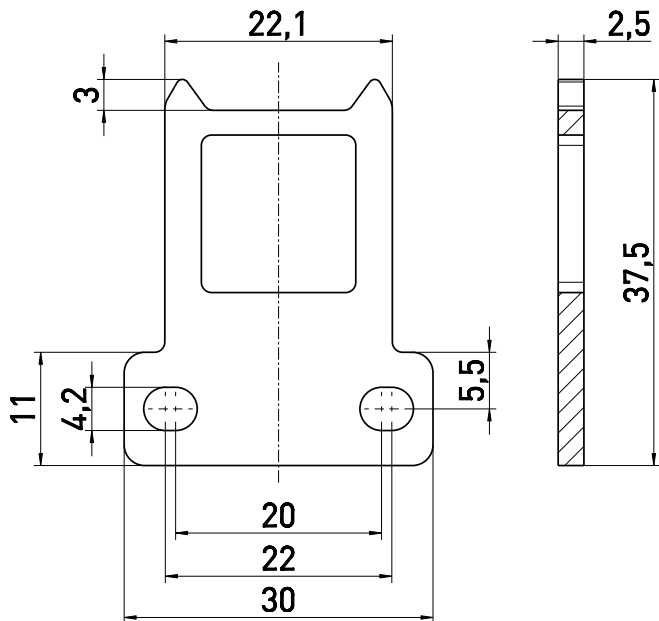
## Accessories for Ex solenoid interlocks // straight STM 295-B1 straight actuator

Order no.: 04.95.1233

### Features/Options

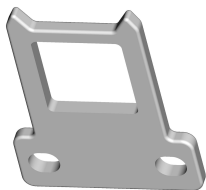
- Actuating radius on hinged guards a = 350 mm and b = 700 mm
- Axial misalignment x = 11 mm

### Dimensions



### Switching diagram

actuator  
straight



Errors and omissions excepted.