

Accessories for Emergency pull-wire switch // Pulley Order no.: 04.73.9102

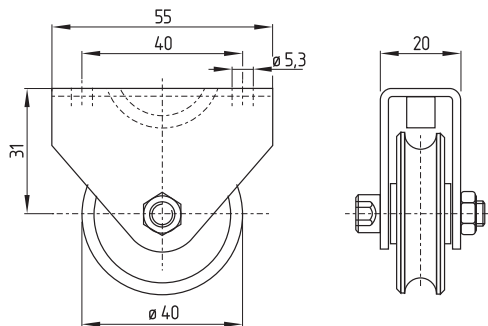
Features/Options

- To guide the pull-wire where the path is not a straight line
- For pull-wire with red PVC sheath \varnothing 5 mm (steel core \varnothing 3 mm)
- Ordering unit: 1 piece

Note

According to EN 418, pulleys may only be mounted such that the complete length of the pull-wire can be observed.

Dimensions



Pulley



Errors and omissions excepted.