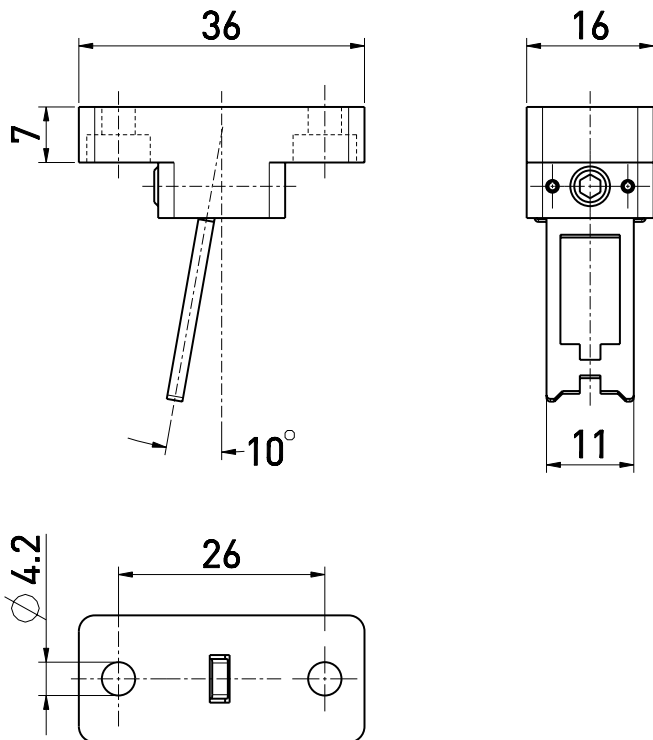


Accessories for Ex safety switches with separate actuator // Flexible actuator ST 14-B3 Order no.: 04.14.8203

Features/Options

- Especially suitable for hinged guards
- Actuating radius on hinged guards $a = 50 \text{ mm}$
- Axial misalignment $x = 14 \text{ mm}$

Dimensions



Errors and omissions excepted.