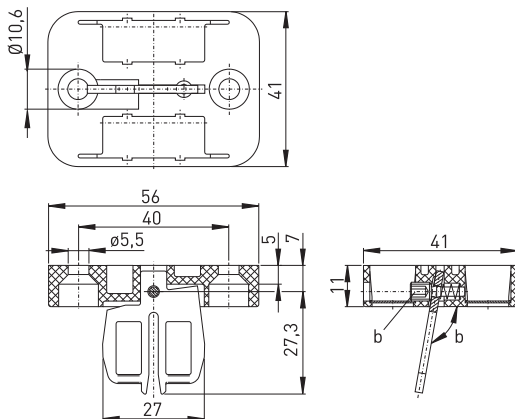


Accessories for Ex safety switches with separate actuator // AZ 15/16-B3-1747 with magnetic latch Order no.: 01.08.0201

Features/Options

- Actuating radius on hinged guards $a = 32$ mm
- axial misalignment $x = 11$ mm
- For play-free interlocking of light guards, holding force: 30 N
- The magnetic latch can easily be fitted in any actuating plane
- Suitable for retrofitting

Dimensions



Errors and omissions excepted.