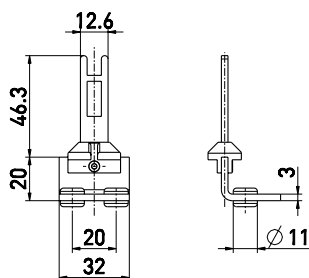


## Accessories for Safety switch with separate actuator // Angled actuator ST 61-B5 Order no.: 01.08.0021

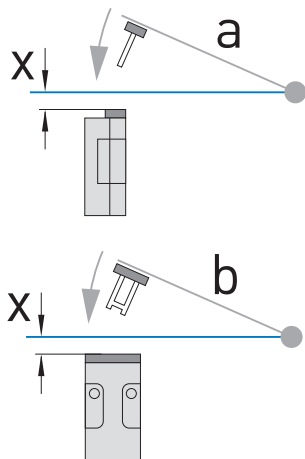
### Features/Options

- Rubber mounting damps vibrations on guard devices
- Especially fit for hinged guards
- Stainless steel 1.4301
- Actuating radius on hinged guards a = 140 mm and b = 1000 mm
- Axial misalignment x = 15 mm

### Dimensions



### Actuating radius



- The axis of the hinge should be x mm above the top edge of the safety switch and in the same plane.
- a Actuating radius to the plane of the actuator
- b Actuating radius in line with the plane of the actuator
- x Axial misalignment

Errors and omissions excepted.