

7

ZP

ABS Plastic and Polycarbonate Enclosures

SX Range
1

BFG Range
2

BPGA Range
3

ZAG Range
4

High Voltage
5

Fire Rated
6

ZP Range
7

Others
8

Technical
9

Further details on this range of enclosures can be found at;

www.ab-tech.co.uk/zp.htm



ABS Plastic and Polycarbonate Enclosures

The ABTECH ZP range of enclosures comprises of 19 different sizes which are injection moulded in either ABS plastic or polycarbonate material. There is also an option of a clear polycarbonate lid which can be fitted to either base.

The enclosures are lightweight yet extremely robust and offer good protection against both corrosion and oil based contamination. The enclosure shares the labyrinth seal arrangement which is common to both the ZAG and BPG ranges and can offer protection up to IP65.

Stainless steel captive quick release quarter turn screws are fitted as standard offering a quick yet reliable method of securing the lid. This can provide a considerable cost saving in assembly times with on-average savings of 2 minutes per enclosure over conventional screws. As an option conventional threaded screws may be fitted if required.



The ZP range is an extremely versatile enclosure with many uses and applications including junction boxes, instrument enclosures and a multitude of OEM applications. The addition of the clear lid makes the ZP range particularly suitable for housing instruments and indicators where a visual indication is required without the need for opening the enclosure.

The ZP range can be machined, drilled and tapped with various thread forms and can also be silk screen printed. The ZP range can be moulded in almost any colour subject to minimum quantities.



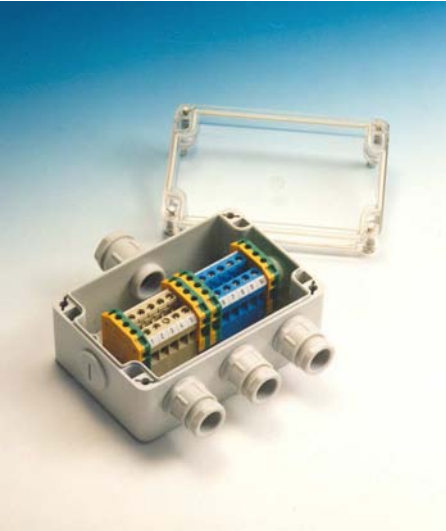
At our factories in England, Germany and the United States we have specialist machining centres for the ZP range of enclosure. These machines use the dedicated tooling and programming which is specific to the requirements of the material and reflect the increasing usage of this enclosure range, especially in small batch production.

Internal components are located via a series of moulded pillars which can be fitted with threaded inserts or alternatively can accept self tapping screws and these are used for the fitment of a component mounting plate or DIN standard terminal mounting rails such as TS 15, TS 32 or TS 35.

Earthing can be accomplished through various means. For example, an internal / external earth stud, which in turn can be connected to the terminal mounting rail or component plate can be used as well as various rail mounted earth terminals or proprietary earth bars which can be fitted inside the enclosure.

The mounting holes, although contained within the profile of the enclosure, sit outside the seal and all the external fasteners and fixings are manufactured from 316 grade stainless steel to ensure reliability. External stainless steel mounting feet are offered as an option.

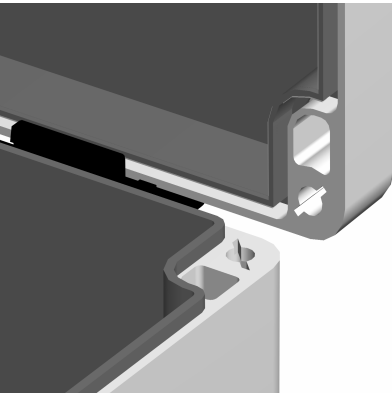
7
ZP Range



The screening against RFI (radio frequency interference) is achieved by the use of a metalised coating of 50 micron thickness to the internal surfaces of the enclosure and the fitment of an RFI gasket. The ABTECH Sales team can give advice on suitable RFI gaskets and finishing techniques which will provide optimum protection but typically the following characteristics are achievable:-

Electrical Attenuation;
55 – 65dB @ 500MHz to 1000MHz

Magnetic Attenuation;
35dB @ 40KHz to 300MHz



ZP Range Features

- Wide Operating Temperature (-70°C to +120°C) (-94°F to +248°F)
- Ingress Protection up to IP65
- Available in Polycarbonate and ABS
- Optional Transparent lid
- Can be moulded any colour (subject to minimum quantities)
- Can be easily machined and silk screen printed
- Ideal for Instrument housings and junction boxes

SX Range 1

BPG Range 2

BPGA Range 3

ZAG Range 4

High Voltage 5

Fire Rated 6

ZP Range 7

Others 8

Technical 9

Accessories and Options

The following table is a list of the available accessories suitable for particular sizes of ZP enclosure.

Part Number	Width (mm)	Length (mm)	Depth (mm)	P - Polycarbonate	ABS - ABS	T - Transparent Lid (moulded polycarbonate)	TS - Threaded Lid Fixing Screws (see note 1)	MP - Component Mounting Plate	EH - External Hinges	EB - Internal Earthing Bar	MF - External Mounting Feet	SG - Silicone Gasket (see note 2)	MR - DIN Standard Mounting Rail	RF - RFI Protection (see note 3)
ZP1	52	50	35	✓	✓	✓	✗	✓	✗	✗	✓	✓	✗	✓
ZP2	65	50	35	✓	✓	✓	✓	✓	✗	✗	✓	✓	✓	✓
ZP3	82	80	55	✓	✓	✓	✓	✓	✓	✓	✓	✓	✓	✓
ZP4	82	80	85	✓	✓	✓	✓	✓	✓	✓	✓	✓	✓	✓
ZP5	120	80	55	✓	✓	✓	✓	✓	✓	✓	✓	✓	✓	✓
ZP6	120	80	85	✓	✓	✓	✓	✓	✓	✓	✓	✓	✓	✓
ZP7	160	80	55	✓	✓	✓	✓	✓	✓	✓	✓	✓	✓	✓
ZP8	160	80	85	✓	✓	✓	✓	✓	✓	✓	✓	✓	✓	✓
ZP9	122	120	55	✓	✓	✓	✓	✓	✓	✓	✓	✓	✓	✓
ZP10	122	120	85	✓	✓	✓	✓	✓	✓	✓	✓	✓	✓	✓
ZP11	200	120	75	✓	✓	✓	✓	✓	✓	✓	✓	✓	✓	✓
ZP12	200	150	75	✓	✓	✓	✓	✓	✓	✓	✓	✓	✓	✓
ZP13	240	120	100	✓	✓	✓	✓	✓	✓	✓	✓	✓	✓	✓
ZP14	240	160	90	✓	✓	✓	✓	✓	✓	✓	✓	✓	✓	✓
ZP15	250	160	90	✓	✓	✓	✓	✓	✓	✓	✓	✓	✓	✓
ZP16	240	160	120	✓	✓	✓	✓	✓	✓	✓	✓	✓	✓	✓
ZP17	300	230	85	✓	✓	✓	✓	✓	✓	✓	✓	✓	✓	✓
ZP18	360	200	150	✓	✓	✓	✓	✓	✓	✓	✓	✓	✓	✓
ZP19	300	230	110	✓	✓	✓	✓	✓	✓	✓	✓	✓	✓	✓

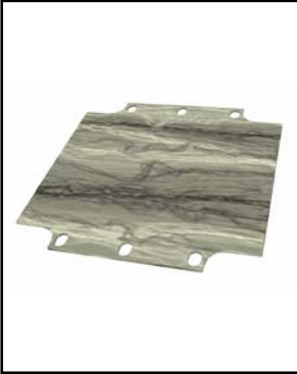
Ordering Example;

ZP12 ABS MF

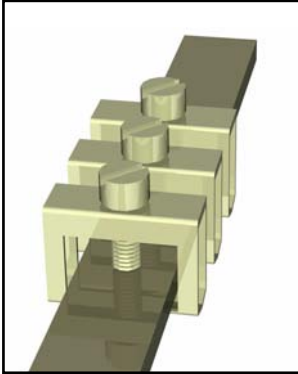
(ZP12 moulded in ABS material with External Mounting Feet)

- Standard lid fixing screws are ¼ turn quick release type.
- Silicone gasket increases temperature rating (-70°C to +120°C) (-94°F to +248°F) and may increase working life.
- Radio Frequency Interference (RFI) gasket may reduce IP rating. Enclosure may also be internally coated with RFI material.

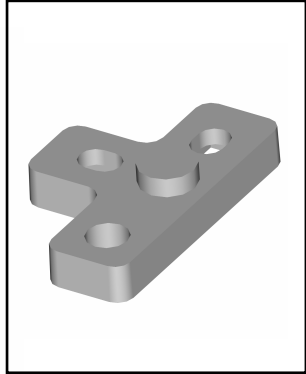
7
ZP Range



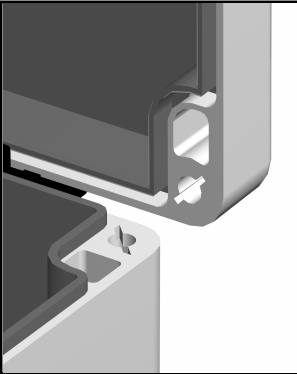
Component Mounting Plate
(tufnol as standard, steel an option)



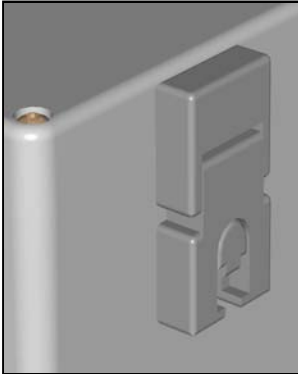
Internal Earthing Bar
(can be fitted with clamps)



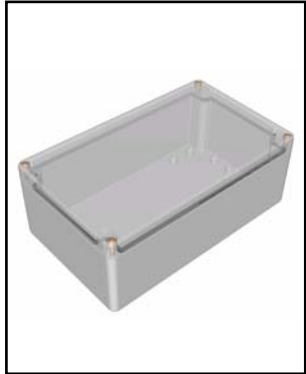
External Mounting Feet
(stainless steel 316)



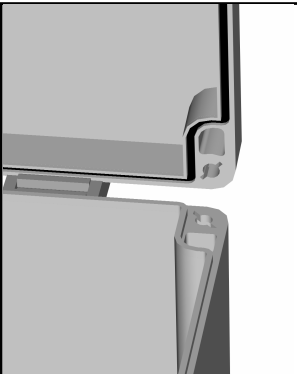
RFI Shielding
(metalsed spray coating to interior)



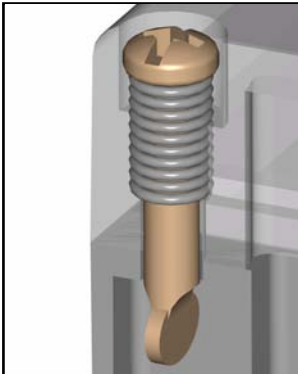
External Hinges



Transparent Lid
(moulded in polycarbonate)



Silicone Lid Seal Gasket



1/4 Turn or Threaded Lid Fixing Screws



DIN Standard Mounting Rail
(TS 15, TS 32 or TS 35)

SX Range	1
BPG Range	2
BPGA Range	3
ZAG Range	4
High Voltage	5
Fire Rated	6
ZP Range	7
Others	8
Technical	9

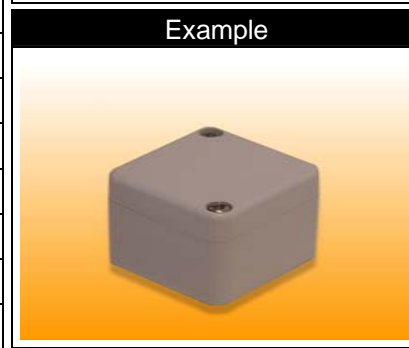
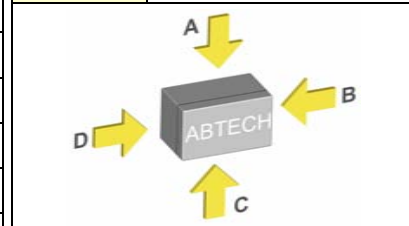
We can also supply cable glands, stopping plugs, breather drains and continuity plates. Please contact us for further details.

ZP1 Specifications	
Width	52mm
Length	50mm
Depth	35mm
Material	Moulded Polycarbonate (RAL7035 grey)
	Moulded ABS (RAL7035 grey)
Weight	Polycarbonate 40g ABS 38g
IP Rating	65
Temperature	Polycarbonate versions -40° to 80° C (-94°F to 176°F) (with standard neoprene gasket)
	Polycarbonate versions -40° to 120° C (-94°F to 248°F) (with optional silicone gasket)
	ABS versions -40° to 65° C (-94°F to 149°F)
Certification	NEMA Types 1, 4X, 12
	UL
Power Rating	Not Applicable

Terminal Populations			
Maximum Number of Rows			1
Weidmuller		Phoenix	
BK4 (4 way)	1	G5 \ 4 (4 way)	1
BK6 (6 way)	0	G5 \ 6 (6 way)	0
BK12 (12 way)	0	G5 \ 12 (12 way)	0
MK6/4	0	UK 3 N	0
MK6/6	0	UK 5 N	0
SAK2.5	0	UK 10 N	0
SAK4	0	UK 16 N	0
SAK6N	0	UK 35 N	0
SAK10	0		
SAK16	0		
SAK35	0		
Entrelec			
MA2.5/5	0		
M4/6	0		
M6/8	0		
M10/10	0		
M16/12	0		
M35/16	0		

Cable Gland Entry Matrix		
Entry Size	Side A-C	Side B-D
M16	0	0
M20	0	0
M25	0	0
M32	0	0
M40	0	0

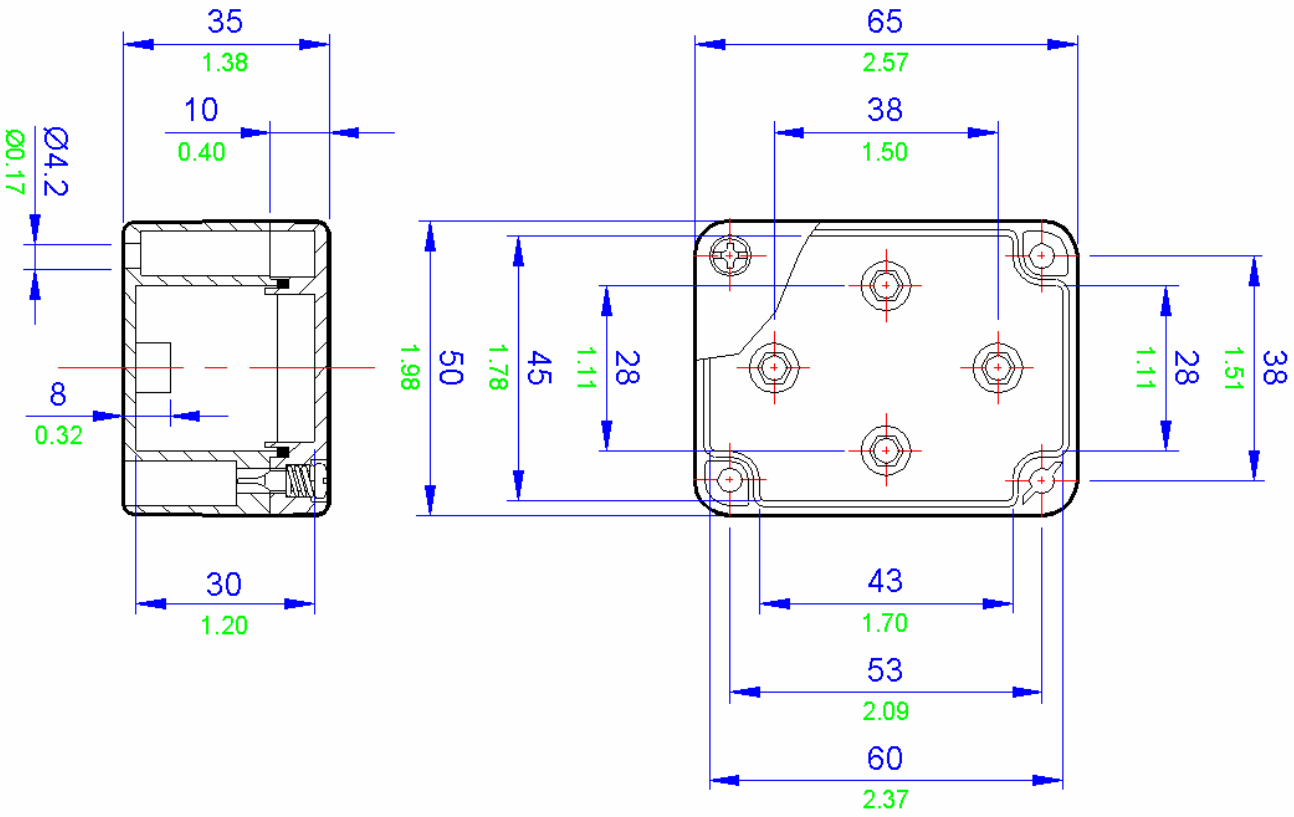
Drilling Envelope Size	
Side A-C	28 x 22mm
Side B-D	26 x 22mm



Technical 9	Others 8	ZP Range 7	Fire Rated 6	High Voltage 5	ZAG Range 4	BPGA Range 3	BPG Range 2	SX Range 1
----------------	-------------	---------------	-----------------	-------------------	----------------	-----------------	----------------	---------------



ZP 2 Drawing



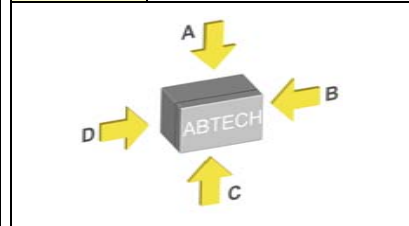
All blue dimensions in mm, all green dimensions in decimal inches (drawing not to scale)

ZP2 Specifications	
Width	65mm
Length	50mm
Depth	35mm
Material	Moulded Polycarbonate (RAL7035 grey)
	Moulded ABS (RAL7035 grey)
Weight	Polycarbonate 50g ABS 48g
IP Rating	65
Temperature	Polycarbonate versions -40° to 80° C (-94°F to 176°F) (with standard neoprene gasket)
	Polycarbonate versions -40° to 120° C (-94°F to 248°F) (with optional silicone gasket)
	ABS versions -40° to 65° C (-94°F to 149°F)
Certification	NEMA Types 1, 4X, 12
	UL
Power Rating	Not Applicable

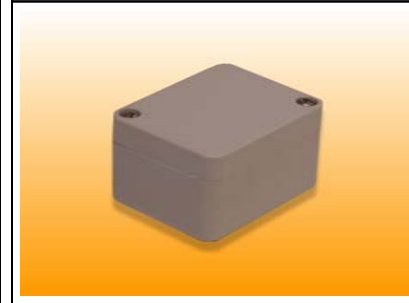
Terminal Populations			
Maximum Number of Rows			1
Weidmuller		Phoenix	
BK4 (4 way)	1	G5 \ 4 (4 way)	1
BK6 (6 way)	0	G5 \ 6 (6 way)	0
BK12 (12 way)	0	G5 \ 12 (12 way)	0
MK6/4	0	UK 3 N	0
MK6/6	0	UK 5 N	0
SAK2.5	0	UK 10 N	0
SAK4	0	UK 16 N	0
SAK6N	0	UK 35 N	0
SAK10	0		
SAK16	0		
SAK35	0		
Entrelec			
MA2.5/5	0		
M4/6	0		
M6/8	0		
M10/10	0		
M16/12	0		
M35/16	0		

Cable Gland Entry Matrix		
Entry Size	Side A-C	Side B-D
M16	0	0
M20	0	0
M25	0	0
M32	0	0
M40	0	0

Drilling Envelope Size	
Side A-C	41 x 22mm
Side B-D	26 x 22mm

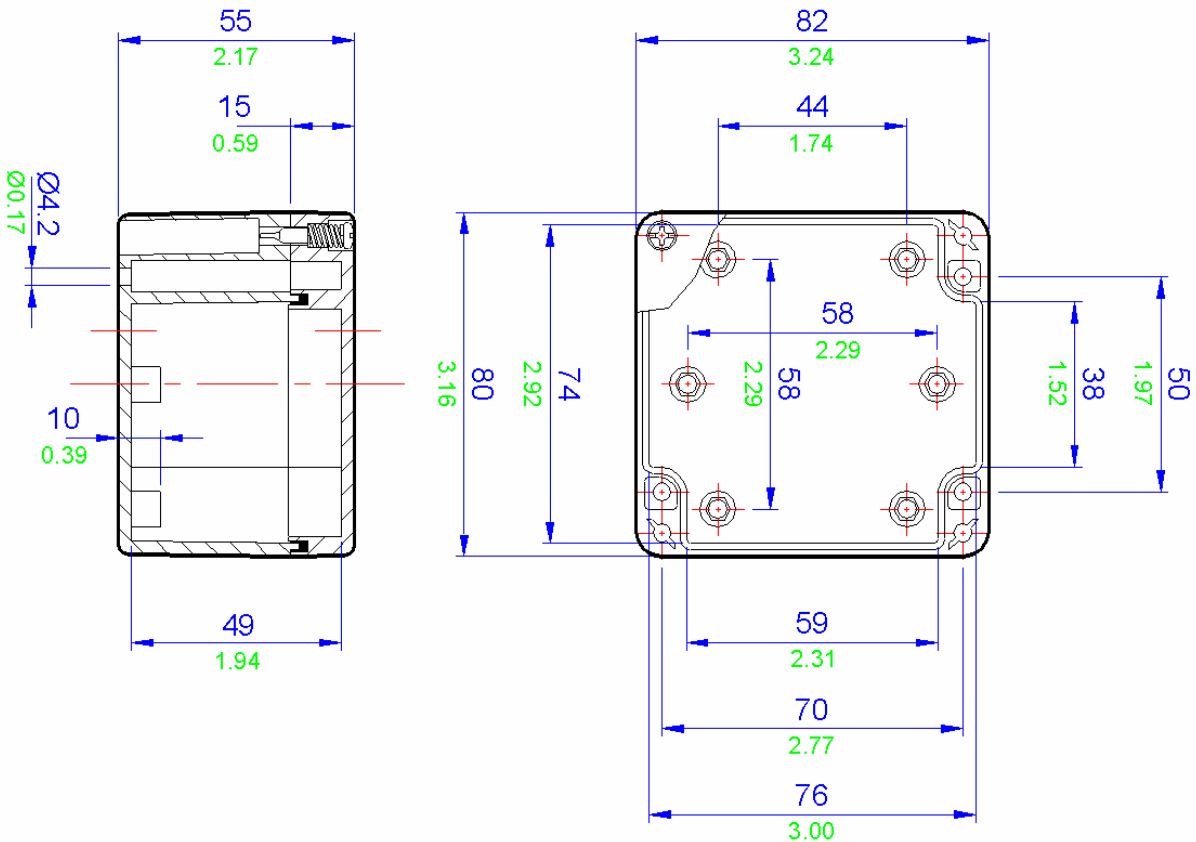


Example



Technical 9	Others 8	ZP Range 7	Fire Rated 6	High Voltage 5	ZAG Range 4	BPGA Range 3	BPG Range 2	SX Range 1
----------------	-------------	---------------	-----------------	-------------------	----------------	-----------------	----------------	---------------

ZP 3 Drawing



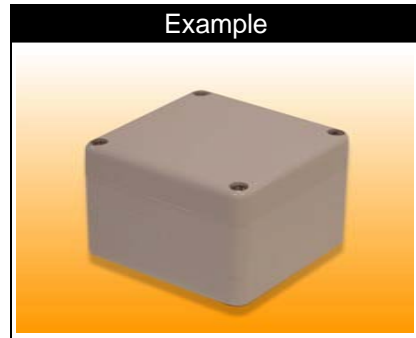
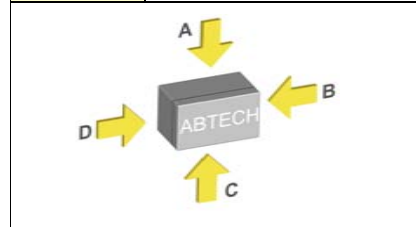
All blue dimensions in mm, all green dimensions in decimal inches (drawing not to scale)

ZP3 Specifications	
Width	82mm
Length	80mm
Depth	55mm
Material	Moulded Polycarbonate (RAL7035 grey)
	Moulded ABS (RAL7035 grey)
Weight	Polycarbonate 150g ABS 148g
IP Rating	65
Temperature	Polycarbonate versions -40° to 80° C (-94F to 176F) (with standard neoprene gasket)
	Polycarbonate versions -40° to 120° C (-94F to 248F) (with optional silicone gasket)
	ABS versions -40° to 65° C (-94F to 149F)
Certification	NEMA Types 1, 4X, 12
	UL
Power Rating	Not Applicable

Terminal Populations			
Maximum Number of Rows		1	
Weidmuller		Phoenix	
BK4 (4 way)	2	G5 \ 4 (4 way)	2
BK6 (6 way)	1	G5 \ 6 (6 way)	1
BK12 (12 way)	0	G5 \ 12 (12 way)	0
MK6/4	0	UK 3 N	0
MK6/6	0	UK 5 N	0
SAK2.5	0	UK 10 N	0
SAK4	0	UK 16 N	0
SAK6N	0	UK 35 N	0
SAK10	0		
SAK16	0		
SAK35	0		
Entrelec			
MA2.5/5	0		
M4/6	0		
M6/8	0		
M10/10	0		
M16/12	0		
M35/16	0		

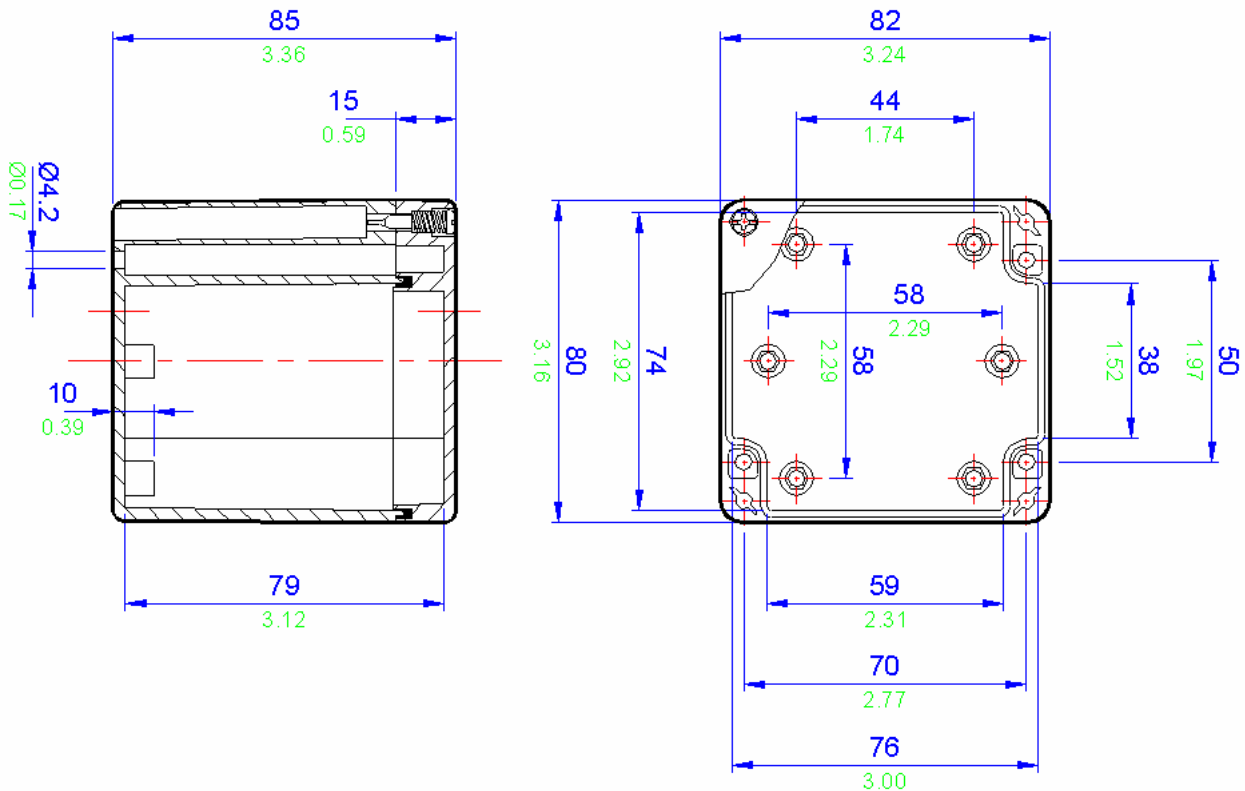
Cable Gland Entry Matrix		
Entry Size	Side A-C	Side B-D
M16	0	0
M20	0	0
M25	0	0
M32	0	0
M40	0	0

Drilling Envelope Size	
Side A-C	56 x 29mm
Side B-D	36x 29mm



Technical 9	Others 8	ZP Range 7	Fire Rated 6	High Voltage 5	ZAG Range 4	BPGA Range 3	BPG Range 2	SX Range 1
----------------	-------------	---------------	-----------------	-------------------	----------------	-----------------	----------------	---------------

ZP 4 Drawing



All blue dimensions in mm, all green dimensions in decimal inches (drawing not to scale)

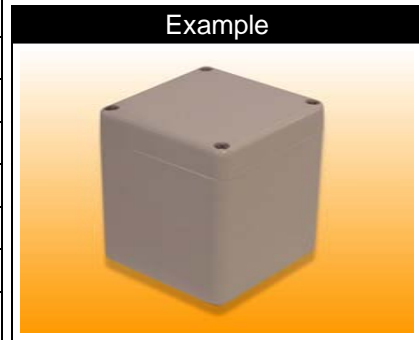
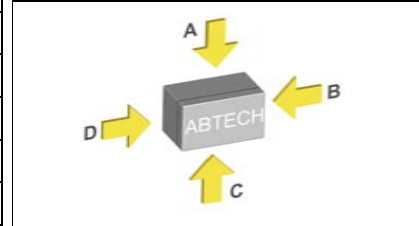
ZP4 Specifications	
Width	82mm
Length	80mm
Depth	85mm
Material	Moulded Polycarbonate (RAL7035 grey)
	Moulded ABS (RAL7035 grey)
Weight	Polycarbonate 175g ABS 156g
IP Rating	65
Temperature	Polycarbonate versions -40° to 80° C (-94°F to 176°F) (with standard neoprene gasket)
	Polycarbonate versions -40° to 120° C (-94°F to 248°F) (with optional silicone gasket)
	ABS versions -40° to 65° C (-94°F to 149°F)
Certification	NEMA Types 1, 4X, 12
	UL
Power Rating	Not Applicable

Terminal Populations			
Maximum Number of Rows			1
Weidmuller		Phoenix	
BK4 (4 way)	2	G5 \ 4 (4 way)	2
BK6 (6 way)	1	G5 \ 6 (6 way)	1
BK12 (12 way)	0	G5 \ 12 (12 way)	0
MK6/4	1	UK 3 N	6
MK6/6	0	UK 5 N	5
SAK2.5	5	UK 10 N *	3
SAK4	5	UK 16 N *	2
SAK6N	4	UK 35 N	0
SAK10 *	3		
SAK16 *	2		
SAK35	0		
Entrelec			
MA2.5/5	6		
M4/6	5		
M6/8	3		
M10/10 *	3		
M16/12 *	1		
M35/16	0		

* Care must be taken to ensure that the size of this enclosure can accommodate the cable bending radius.

Cable Gland Entry Matrix		
Entry Size	Side A-C	Side B-D
M16	1	1
M20	1	0
M25	1	0
M32	0	0
M40	0	0

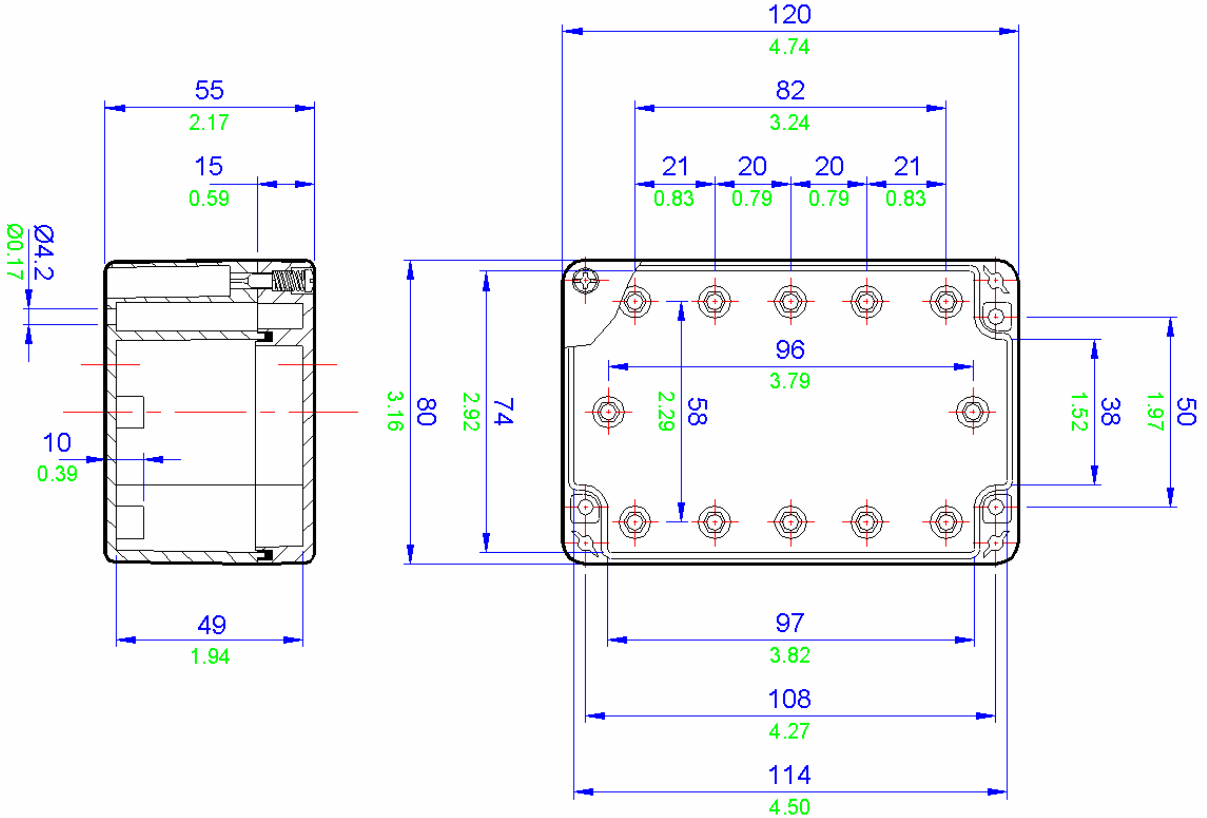
Drilling Envelope Size	
Side A-C	56 x 59mm
Side B-D	36 x 59mm



Technical 9	Others 8	ZP Range 7	Fire Rated 6	High Voltage 5	ZAG Range 4	BPGA Range 3	BPG Range 2	SX Range 1
----------------	-------------	---------------	-----------------	-------------------	----------------	-----------------	----------------	---------------



ZP 5 Drawing



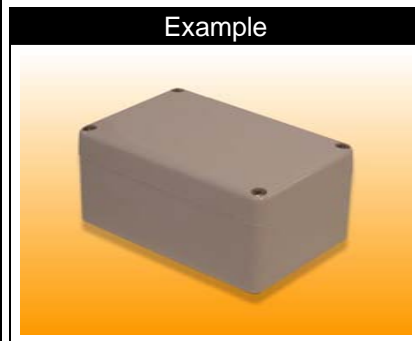
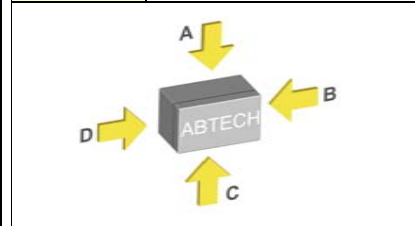
All blue dimensions in mm, all green dimensions in decimal inches (drawing not to scale)

ZP5 Specifications	
Width	120mm
Length	80mm
Depth	55mm
Material	Moulded Polycarbonate (RAL7035 grey)
	Moulded ABS (RAL7035 grey)
Weight	Polycarbonate 175g ABS 165g
IP Rating	65
Temperature	Polycarbonate versions -40° to 80° C (-94°F to 176°F) (with standard neoprene gasket)
	Polycarbonate versions -40° to 120° C (-94°F to 248°F) (with optional silicone gasket)
	ABS versions -40° to 65° C (-94°F to 149°F)
Certification	NEMA Types 1, 4X, 12
	UL
Power Rating	Not Applicable

Terminal Populations			
Maximum Number of Rows			1
Weidmuller		Phoenix	
BK4 (4 way)	2	G5 \ 4 (4 way)	2
BK6 (6 way)	2	G5 \ 6 (6 way)	2
BK12 (12 way)	1	G5 \ 12 (12 way)	1
MK6/4	2	UK 3 N	0
MK6/6	1	UK 5 N	0
SAK2.5	0	UK 10 N	0
SAK4	0	UK 16 N	0
SAK6N	0	UK 35 N	0
SAK10	0		
SAK16	0		
SAK35	0		
Entelec			
MA2.5/5	0		
M4/6	0		
M6/8	0		
M10/10	0		
M16/12	0		
M35/16	0		

Cable Gland Entry Matrix		
Entry Size	Side A-C	Side B-D
M16	0	0
M20	0	0
M25	0	0
M32	0	0
M40	0	0

Drilling Envelope Size	
Side A-C	94 x 29mm
Side B-D	36 x 29mm



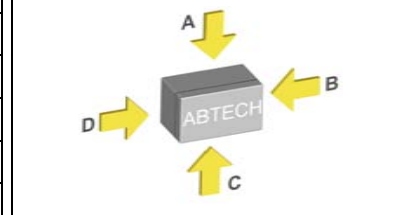
Technical 9	Others 8	ZP Range 7	Fire Rated 6	High Voltage 5	ZAG Range 4	BPGA Range 3	BPG Range 2	SX Range 1
----------------	-------------	---------------	-----------------	-------------------	----------------	-----------------	----------------	---------------

ZP6 Specifications	
Width	120mm
Length	80mm
Depth	85mm
Material	Moulded Polycarbonate (RAL7035 grey)
	Moulded ABS (RAL7035 grey)
Weight	Polycarbonate 225g ABS 205g
IP Rating	65
Temperature	Polycarbonate versions -40° to 80° C (-94°F to 176°F) (with standard neoprene gasket)
	Polycarbonate versions -40° to 120° C (-94°F to 248°F) (with optional silicone gasket)
	ABS versions -40° to 65° C (-94°F to 149°F)
Certification	NEMA Types 1, 4X, 12
	UL
Power Rating	Not Applicable

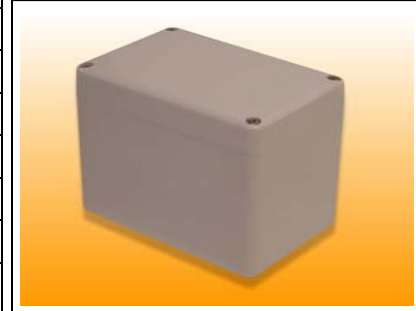
Terminal Populations			
Maximum Number of Rows			1
Weidmuller		Phoenix	
BK4 (4 way)	2	G5 \ 4 (4 way)	2
BK6 (6 way)	2	G5 \ 6 (6 way)	2
BK12 (12 way)	1	G5 \ 12 (12 way)	1
MK6/4	1	UK 3 N	16
MK6/6	1	UK 5 N	13
SAK2.5	14	UK 10 N *	8
SAK4	13	UK 16 N *	6
SAK6N	10	UK 35 N *	5
SAK10 *	8		
SAK16 *	7		
SAK35 *	5		
Entelec			
MA2.5/5	17		
M4/6	14		
M6/8	8		
M10/10 *	8		
M16/12 *	7		
M35/16 *	5		
* Care must be taken to ensure that the size of this enclosure can accommodate the cable bending radius.			

Cable Gland Entry Matrix		
Entry Size	Side A-C	Side B-D
M16	4	1
M20	2	0
M25	2	0
M32	1	0
M40	0	0

Drilling Envelope Size	
Side A-C	94 x 59mm
Side B-D	36 x 59mm



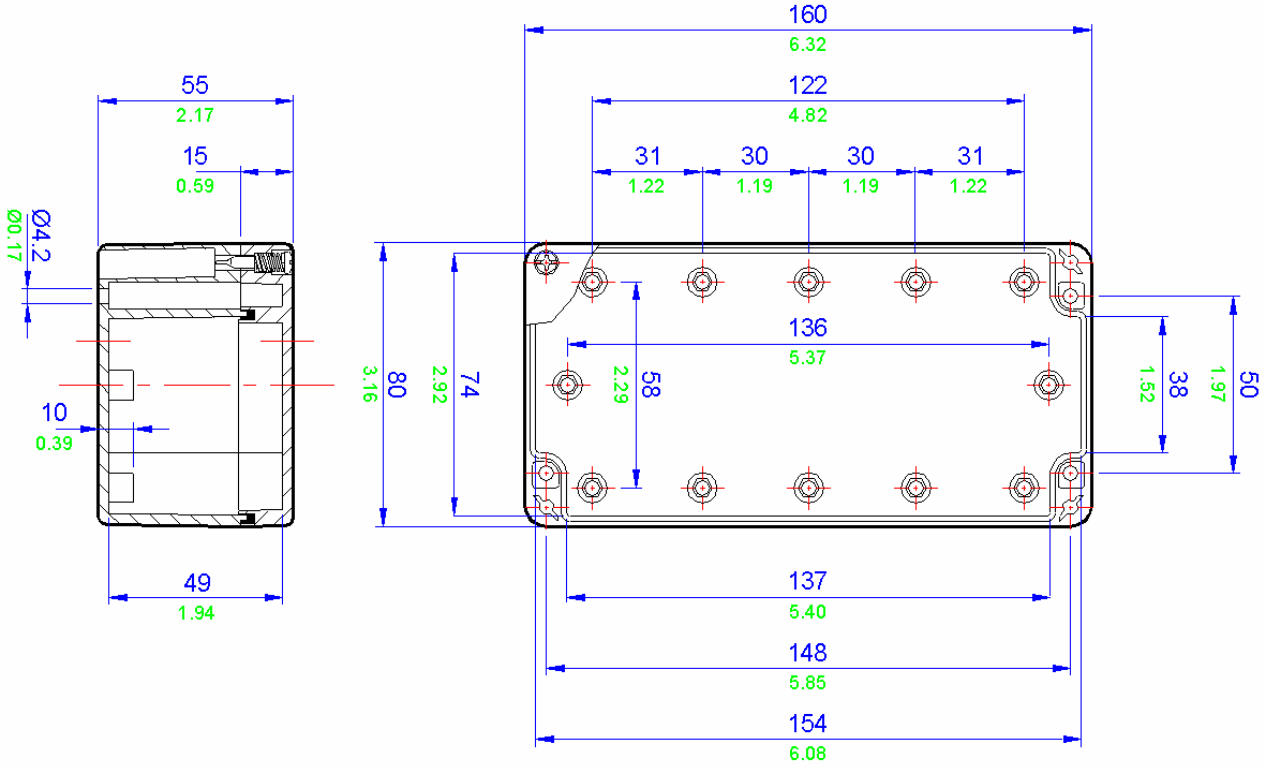
Example



Technical 9	Others 8	ZP Range 7	Fire Rated 6	High Voltage 5	ZAG Range 4	BPGA Range 3	BPG Range 2	5X Range 1
----------------	-------------	---------------	-----------------	-------------------	----------------	-----------------	----------------	---------------



ZP 7 Drawing



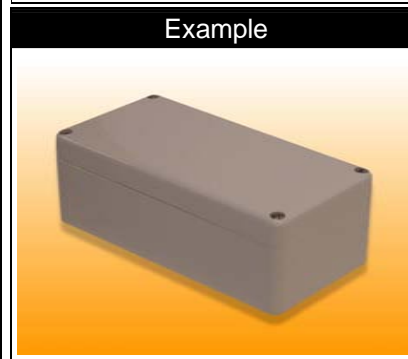
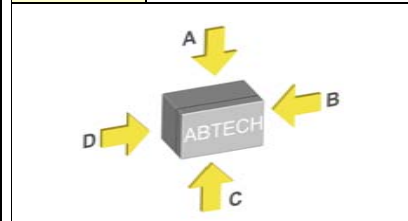
All blue dimensions in mm, all green dimensions in decimal inches (drawing not to scale)

ZP7 Specifications	
Width	160mm
Length	80mm
Depth	55mm
Material	Moulded Polycarbonate (RAL7035 grey)
	Moulded ABS (RAL7035 grey)
Weight	Polycarbonate 225g ABS 205g
IP Rating	65
Temperature	Polycarbonate versions -40° to 80° C (-94°F to 176°F) (with standard neoprene gasket)
	Polycarbonate versions -40° to 120° C (-94°F to 248°F) (with optional silicone gasket)
	ABS versions -40° to 65° C (-94°F to 149°F)
Certification	NEMA Types 1, 4X, 12
	UL
Power Rating	Not Applicable

Terminal Populations			
Maximum Number of Rows			1
Weidmuller		Phoenix	
BK4 (4 way)	3	G5 \ 4 (4 way)	3
BK6 (6 way)	2	G5 \ 6 (6 way)	2
BK12 (12 way)	1	G5 \ 12 (12 way)	1
MK6/4	2	UK 3 N	0
MK6/6	1	UK 5 N	0
SAK2.5	0	UK 10 N	0
SAK4	0	UK 16 N	0
SAK6N	0	UK 35 N	0
SAK10	0		
SAK16	0		
SAK35	0		
Entrelec			
MA2.5/5	0		
M4/6	0		
M6/8	0		
M10/10	0		
M16/12	0		
M35/16	0		

Cable Gland Entry Matrix		
Entry Size	Side A-C	Side B-D
M16	0	0
M20	0	0
M25	0	0
M32	0	0
M40	0	0

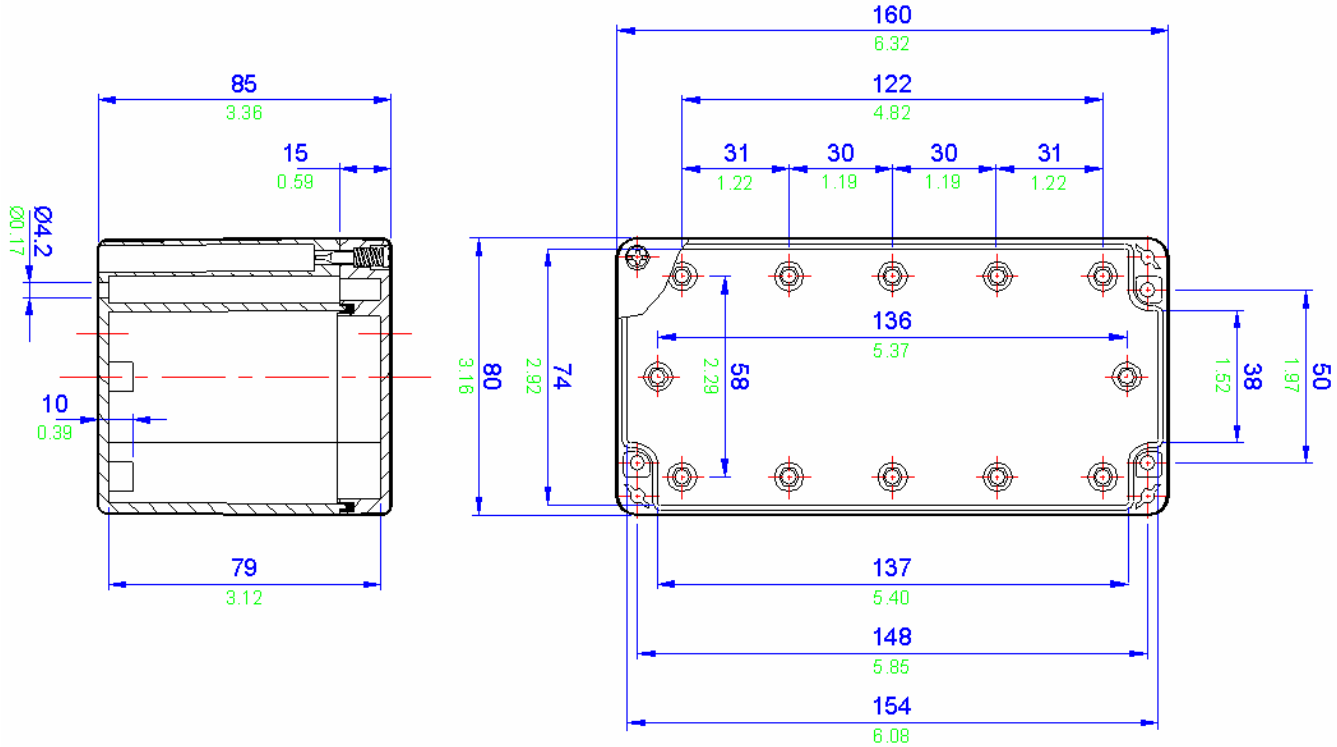
Drilling Envelope Size	
Side A-C	134 x 29mm
Side B-D	36 x 29mm



Technical 9	Others 8	ZP Range 7	Fire Rated 6	High Voltage 5	ZAG Range 4	BPGA Range 3	BPG Range 2	SX Range 1
----------------	-------------	---------------	-----------------	-------------------	----------------	-----------------	----------------	---------------



ZP 8 Drawing



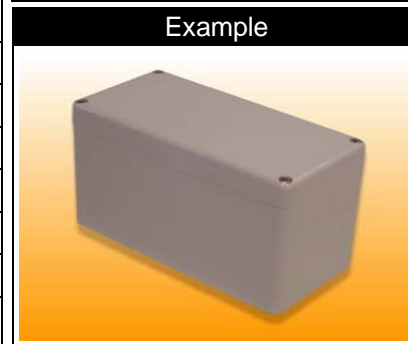
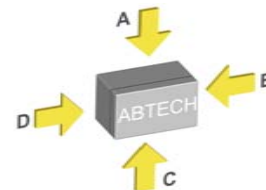
All blue dimensions in mm, all green dimensions in decimal inches (drawing not to scale)

ZP8 Specifications	
Width	160mm
Length	80mm
Depth	85mm
Material	Moulded Polycarbonate (RAL7035 grey)
	Moulded ABS (RAL7035 grey)
Weight	Polycarbonate 250g ABS 235g
IP Rating	65
Temperature	Polycarbonate versions -40° to 80° C (-94°F to 176°F) (with standard neoprene gasket)
	Polycarbonate versions -40° to 120° C (-94°F to 248°F) (with optional silicone gasket)
	ABS versions -40° to 65° C (-94°F to 149°F)
Certification	NEMA Types 1, 4X, 12
	UL
Power Rating	Not Applicable

Terminal Populations			
Maximum Number of Rows			1
Weidmuller		Phoenix	
BK4 (4 way)	3	G5 \ 4 (4 way)	3
BK6 (6 way)	2	G5 \ 6 (6 way)	2
BK12 (12 way)	1	G5 \ 12 (12 way)	1
MK6/4	2	UK 3 N	23
MK6/6	1	UK 5 N	19
SAK2.5	20	UK 10 N *	11
SAK4	19	UK 16 N *	9
SAK6N	15	UK 35 N *	7
SAK10 *	12		
SAK16 *	10		
SAK35 *	7		
Entelec			
MA2.5/5	24		
M4/6	20		
M6/8	15		
M10/10 *	12		
M16/12 *	10		
M35/16 *	7		
* Care must be taken to ensure that the size of this enclosure can accommodate the cable bending radius.			

Cable Gland Entry Matrix		
Entry Size	Side A-C	Side B-D
M16	6	1
M20	3	0
M25	2	0
M32	2	0
M40	0	0

Drilling Envelope Size	
Side A-C	59 x 134mm
Side B-D	59 x 36mm

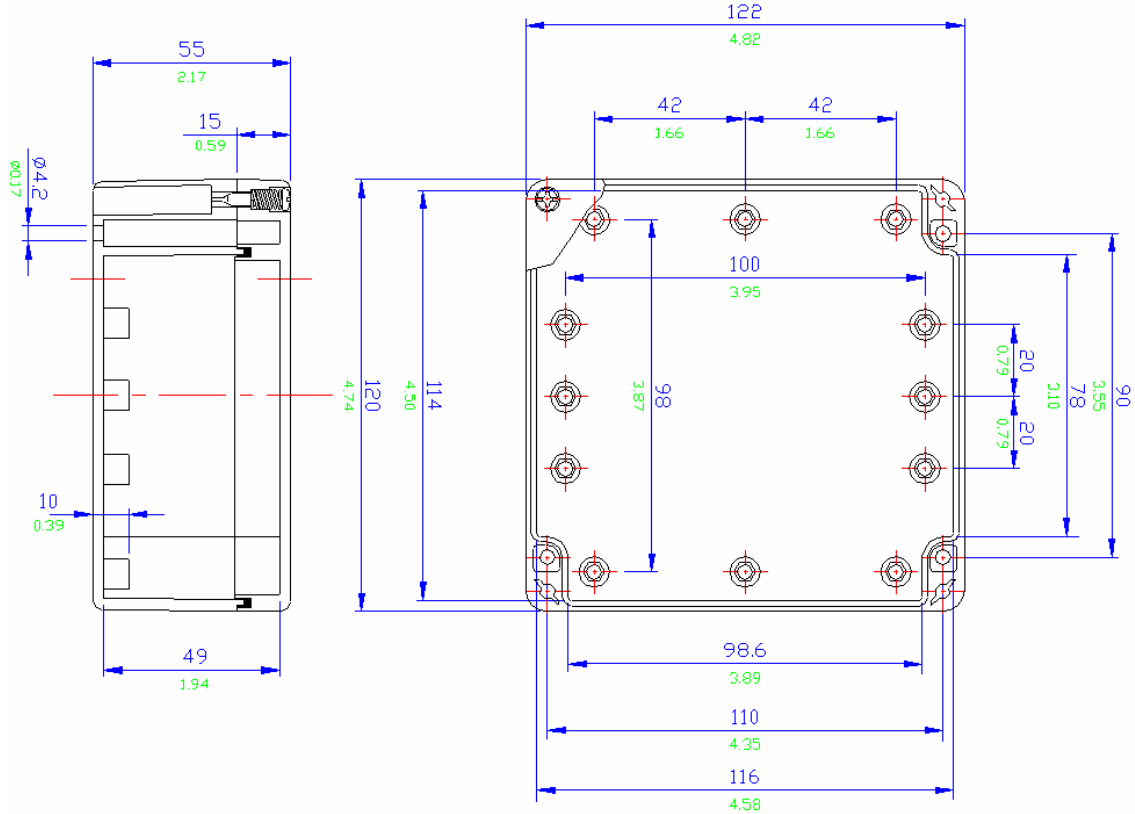


Technical 9	Others 8	ZP Range 7	Fire Rated 6	High Voltage 5	ZAG Range 4	BPGA Range 3	BPG Range 2	SX Range 1
----------------	-------------	---------------	-----------------	-------------------	----------------	-----------------	----------------	---------------



ZP Range

ZP 9 Drawing



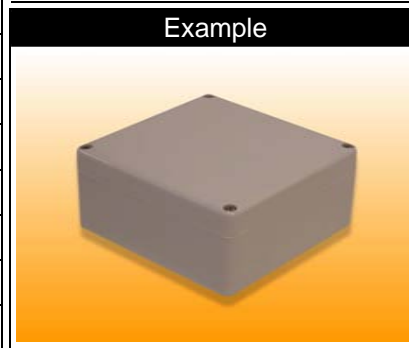
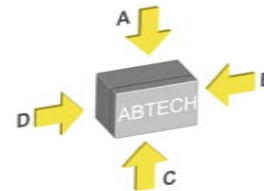
All blue dimensions in mm, all green dimensions in decimal inches (drawing not to scale)

ZP9 Specifications	
Width	122mm
Length	120mm
Depth	55mm
Material	Moulded Polycarbonate (RAL7035 grey)
	Moulded ABS (RAL7035 grey)
Weight	Polycarbonate 240g ABS 220g
IP Rating	65
Temperature	Polycarbonate versions -40° to 80° C (-94°F to 176°F) (with standard neoprene gasket)
	Polycarbonate versions -40° to 120° C (-94°F to 248°F) (with optional silicone gasket)
	ABS versions -40° to 65° C (-94°F to 149°F)
Certification	NEMA Types 1, 4X, 12
	UL
Power Rating	Not Applicable

Terminal Populations			
Maximum Number of Rows			1
Weidmuller		Phoenix	
BK4 (4 way)	2	G5 \ 4 (4 way)	2
BK6 (6 way)	2	G5 \ 6 (6 way)	2
BK12 (12 way)	1	G5 \ 12 (12 way)	1
MK6/4	2	UK 3 N	0
MK6/6	1	UK 5 N	0
SAK2.5	0	UK 10 N	0
SAK4	0	UK 16 N	0
SAK6N	0	UK 35 N	0
SAK10	0		
SAK16	0		
SAK35	0		
Entrelec			
MA2.5/5	0		
M4/6	0		
M6/8	0		
M10/10	0		
M16/12	0		
M35/16	0		

Cable Gland Entry Matrix		
Entry Size	Side A-C	Side B-D
M16	0	0
M20	0	0
M25	0	0
M32	0	0
M40	0	0

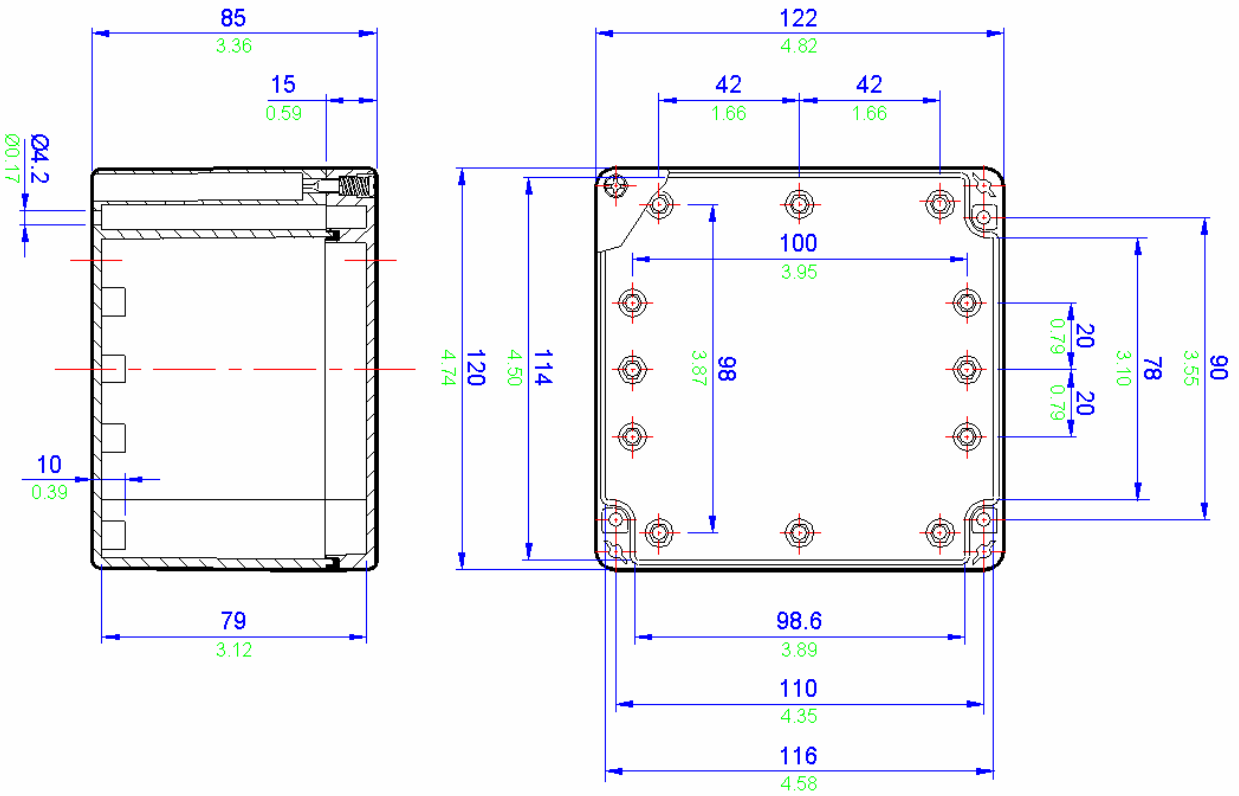
Drilling Envelope Size	
Side A-C	96 x 29mm
Side B-D	76 x 29mm



Technical 6	Others 8	ZP Range 7	Fire Rated 9	High Voltage 5	ZAG Range 4	BPGA Range 3	BPG Range 2	5X Range 1
----------------	-------------	---------------	-----------------	-------------------	----------------	-----------------	----------------	---------------



ZP 10 Drawing



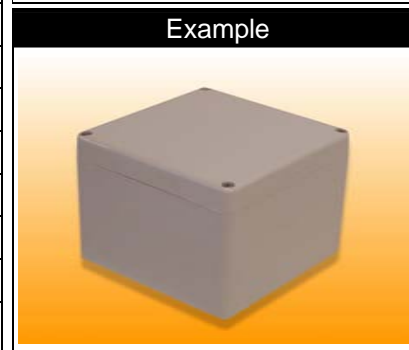
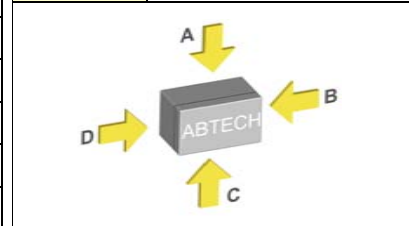
All blue dimensions in mm, all green dimensions in decimal inches (drawing not to scale)

ZP10 Specifications	
Width	122mm
Length	120mm
Depth	85mm
Material	Moulded Polycarbonate (RAL7035 grey)
	Moulded ABS (RAL7035 grey)
Weight	Polycarbonate 295g ABS 270g
IP Rating	65
Temperature	Polycarbonate versions -40° to 80° C (-94°F to 176°F) (with standard neoprene gasket)
	Polycarbonate versions -40° to 120° C (-94°F to 248°F) (with optional silicone gasket)
	ABS versions -40° to 65° C (-94°F to 149°F)
Certification	NEMA Types 1, 4X, 12
	UL
Power Rating	Not Applicable

Terminal Populations			
Maximum Number of Rows			1
Weidmuller		Phoenix	
BK4 (4 way)	2	G5 \ 4 (4 way)	2
BK6 (6 way)	2	G5 \ 6 (6 way)	2
BK12 (12 way)	1	G5 \ 12 (12 way)	1
MK6/4	2	UK 3 N	16
MK6/6	1	UK 5 N	13
SAK2.5	14	UK 10 N *	8
SAK4	13	UK 16 N *	6
SAK6N	10	UK 35 N *	5
SAK10 *	8		
SAK16 *	7		
SAK35 *	5		
Entelec			
MA2.5/5	17		
M4/6	14		
M6/8	8		
M10/10 *	8		
M16/12 *	7		
M35/16 *	5		
* Care must be taken to ensure that the size of this enclosure can accommodate the cable bending radius.			

Cable Gland Entry Matrix		
Entry Size	Side A-C	Side B-D
M16	4	2
M20	2	1
M25	2	1
M32	1	1
M40	0	0

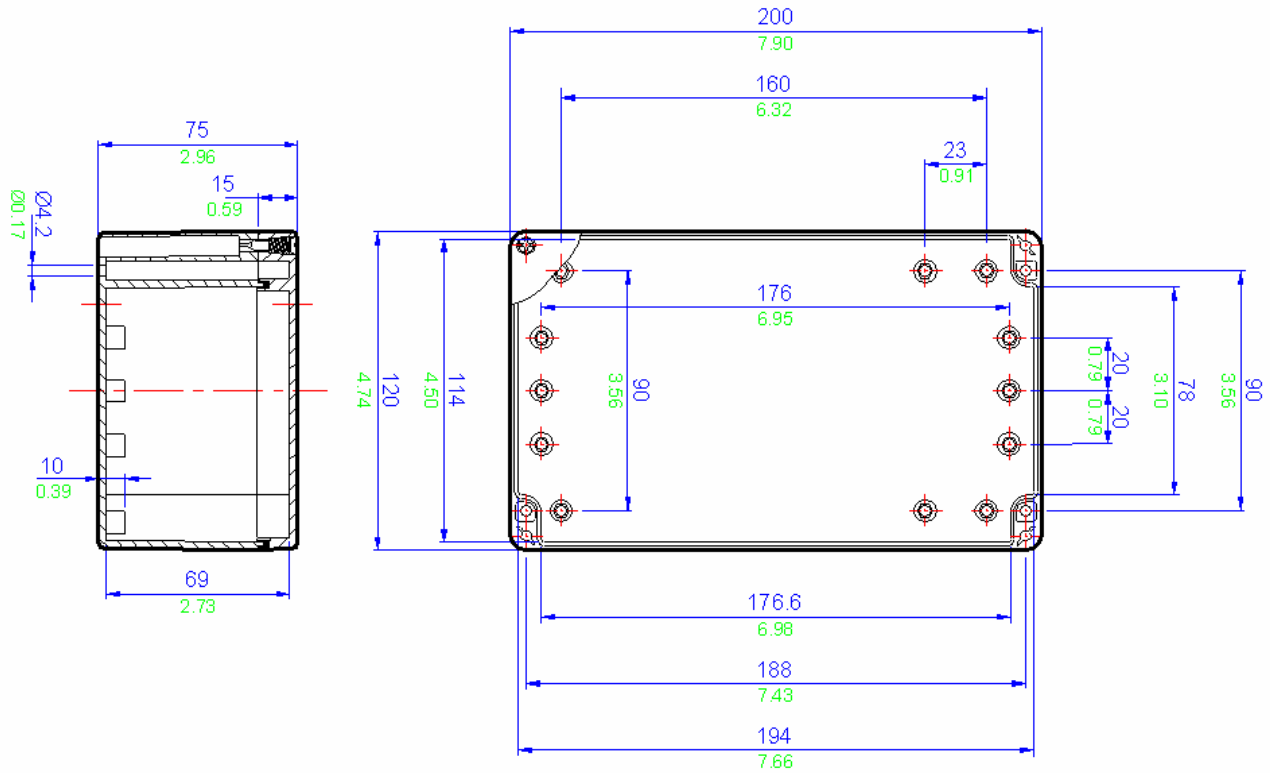
Drilling Envelope Size	
Side A-C	96 x 59mm
Side B-D	76 x 59mm



Technical 9	Others 8	ZP Range 7	Fire Rated 6	High Voltage 5	ZAG Range 4	BPGA Range 3	BPG Range 2	SX Range 1
----------------	-------------	---------------	-----------------	-------------------	----------------	-----------------	----------------	---------------



ZP 11 Drawing



All blue dimensions in mm, all green dimensions in decimal inches (drawing not to scale)

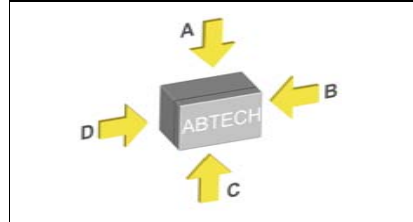
ZP11 Specifications	
Width	200mm
Length	120mm
Depth	75mm
Material	Moulded Polycarbonate (RAL7035 grey)
	Moulded ABS (RAL7035 grey)
Weight	Polycarbonate 400g ABS 380g
IP Rating	65
Temperature	Polycarbonate versions -40° to 80° C (-94°F to 176°F) (with standard neoprene gasket)
	Polycarbonate versions -40° to 120° C (-94°F to 248°F) (with optional silicone gasket)
	ABS versions -40° to 65° C (-94°F to 149°F)
Certification	NEMA Types 1, 4X, 12
	UL
Power Rating	Not Applicable

Terminal Populations			
Maximum Number of Rows			1
Weidmuller		Phoenix	
BK4 (4 way)	5	G5 \ 4 (4 way)	5
BK6 (6 way)	3	G5 \ 6 (6 way)	3
BK12 (12 way)	2	G5 \ 12 (12 way)	2
MK6/4	3	UK 3 N	32
MK6/6	2	UK 5 N	27
SAK2.5	28	UK 10 N *	16
SAK4	28	UK 16 N *	13
SAK6N	21	UK 35 N *	11
SAK10 *	16		
SAK16 *	14		
SAK35 *	7		
Entrelec			
MA2.5/5	33		
M4/6	28		
M6/8	21		
M10/10 *	16		
M16/12 *	14		
M35/16 *	10		

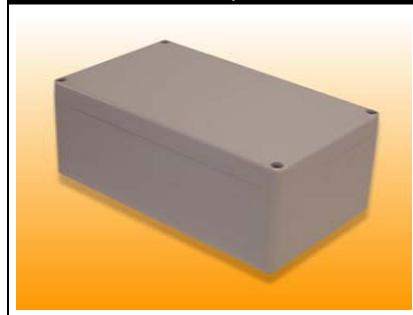
* Care must be taken to ensure that the size of this enclosure can accommodate the cable bending radius.

Cable Gland Entry Matrix		
Entry Size	Side A-C	Side B-D
M16	5	2
M20	4	1
M25	3	1
M32	0	0
M40	0	0

Drilling Envelope Size	
Side A-C	174 x 48mm
Side B-D	76 x 48mm



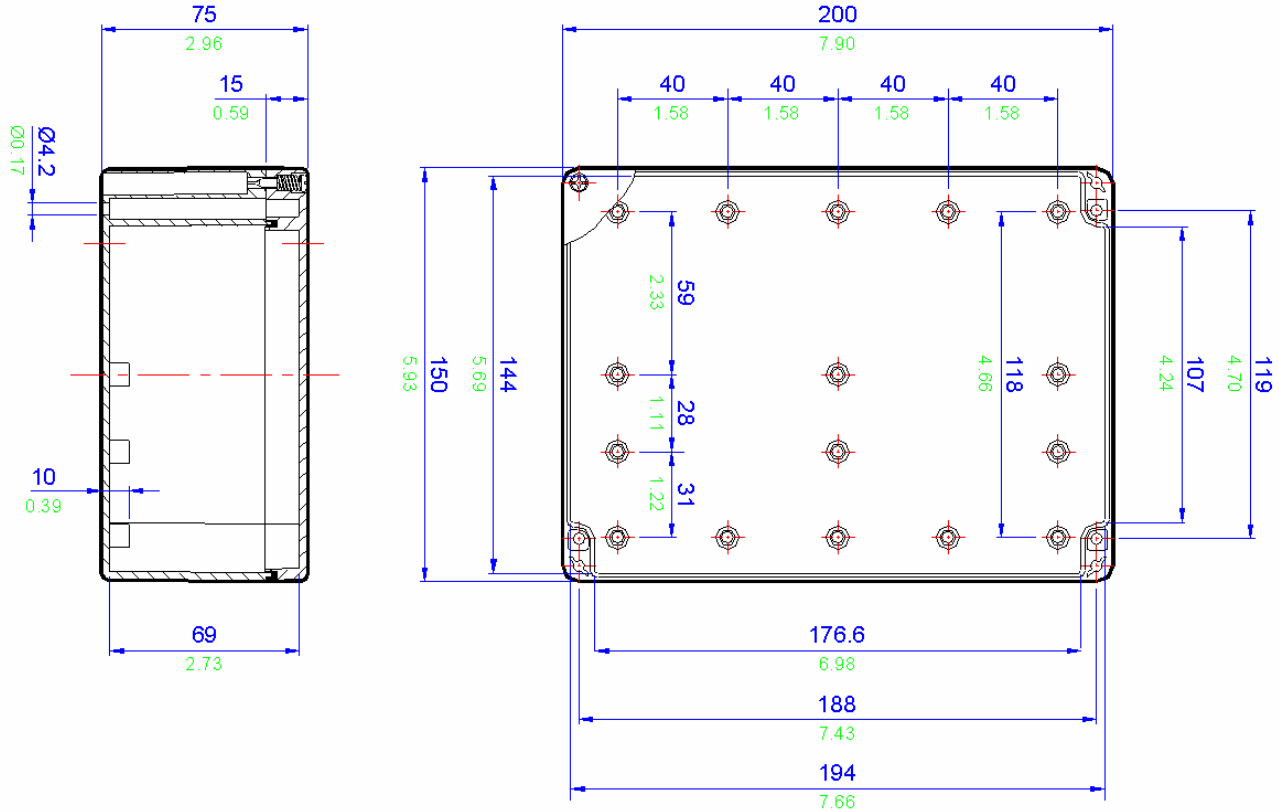
Example



Technical 9	Others 8	ZP Range 7	Fire Rated 6	High Voltage 5	ZAG Range 4	BPGA Range 3	BPG Range 2	SX Range 1
----------------	-------------	---------------	-----------------	-------------------	----------------	-----------------	----------------	---------------



ZP 12 Drawing



All blue dimensions in mm, all green dimensions in decimal inches (drawing not to scale)

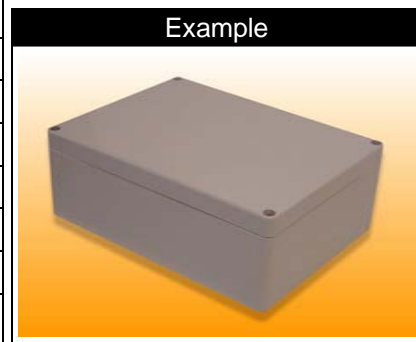
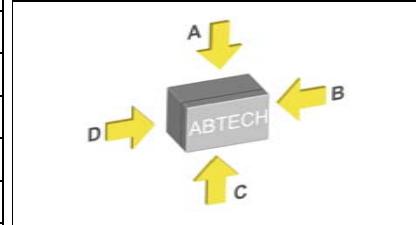
ZP12 Specifications	
Width	200mm
Length	150mm
Depth	75mm
Material	Moulded Polycarbonate (RAL7035 grey)
	Moulded ABS (RAL7035 grey)
Weight	Polycarbonate 475g ABS 440g
IP Rating	65
Temperature	Polycarbonate versions -40° to 80° C (-94°F to 176°F) (with standard neoprene gasket)
	Polycarbonate versions -40° to 120° C (-94°F to 248°F) (with optional silicone gasket)
	ABS versions -40° to 65° C (-94°F to 149°F)
Certification	NEMA Types 1, 4X, 12
	UL
Power Rating	Not Applicable

Terminal Populations			
Maximum Number of Rows			1
Weidmuller		Phoenix	
BK4 (4 way)	5	G5 \ 4 (4 way)	5
BK6 (6 way)	3	G5 \ 6 (6 way)	3
BK12 (12 way)	2	G5 \ 12 (12 way)	2
MK6/4	3	UK 3 N	32
MK6/6	2	UK 5 N	27
SAK2.5	28	UK 10 N *	16
SAK4	28	UK 16 N *	13
SAK6N	21	UK 35 N *	11
SAK10 *	16		
SAK16 *	14		
SAK35 *	7		
Entelec			
MA2.5/5	33		
M4/6	28		
M6/8	21		
M10/10 *	16		
M16/12 *	14		
M35/16 *	10		

* Care must be taken to ensure that the size of this enclosure can accommodate the cable bending radius.

Cable Gland Entry Matrix		
Entry Size	Side A-C	Side B-D
M16	5	3
M20	4	2
M25	3	2
M32	0	0
M40	0	0

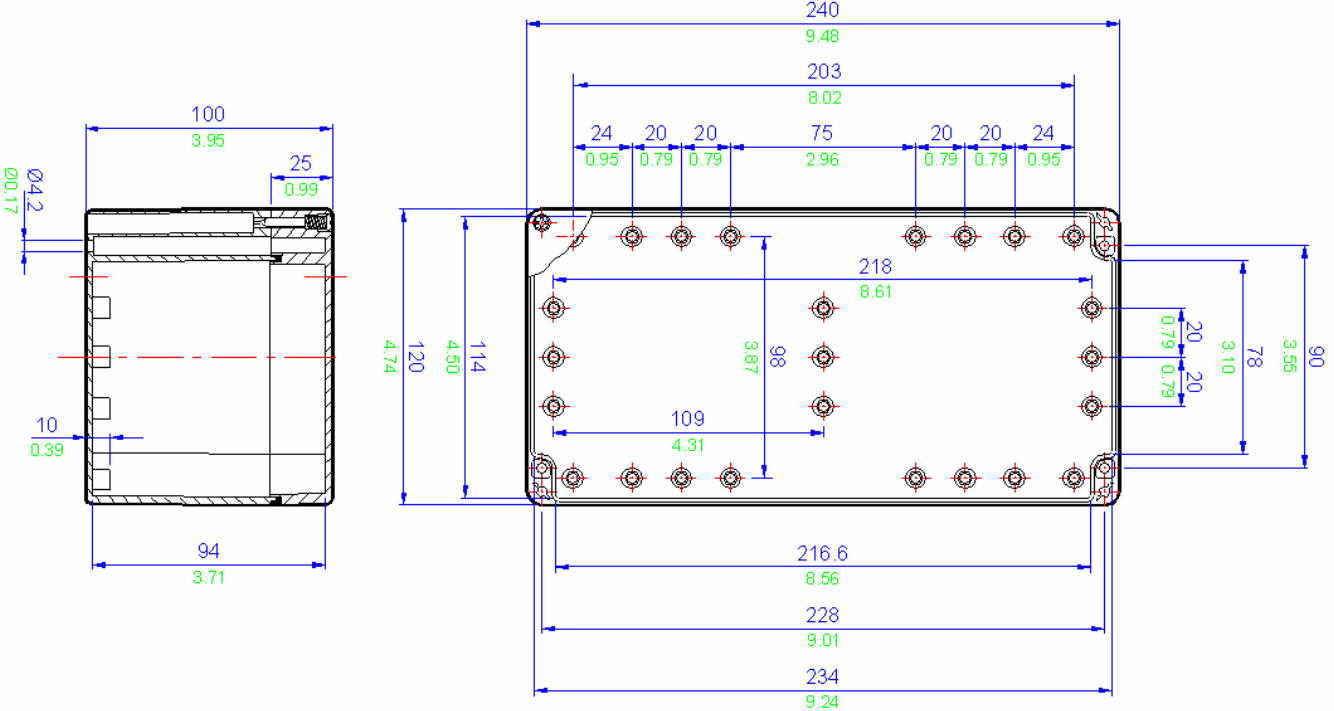
Drilling Envelope Size	
Side A-C	174 x 49mm
Side B-D	106 x 49mm



Technical 9	Others 8	ZP Range 7	Fire Rated 6	High Voltage 5	ZAG Range 4	BPGA Range 3	BPG Range 2	SX Range 1
----------------	-------------	---------------	-----------------	-------------------	----------------	-----------------	----------------	---------------



ZP 13 Drawing



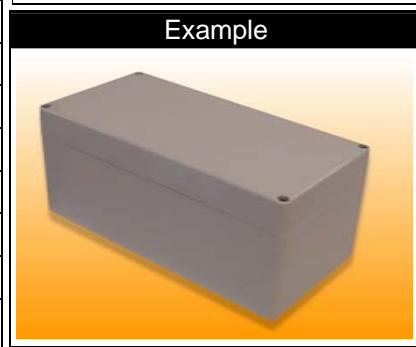
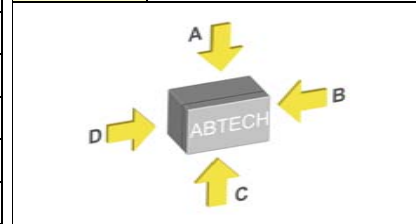
All blue dimensions in mm, all green dimensions in decimal inches (drawing not to scale)

ZP13 Specifications	
Width	240mm
Length	120mm
Depth	100mm
Material	Moulded Polycarbonate (RAL7035 grey)
	Moulded ABS (RAL7035 grey)
Weight	Polycarbonate 550g ABS 495g
IP Rating	65
Temperature	Polycarbonate versions -40° to 80° C (-94°F to 176°F) (with standard neoprene gasket)
	Polycarbonate versions -40° to 120° C (-94°F to 248°F) (with optional silicone gasket)
	ABS versions -40° to 65° C (-94°F to 149°F)
Certification	NEMA Types 1, 4X, 12
	UL
Power Rating	Not Applicable

Terminal Populations			
Maximum Number of Rows			1
Weidmuller		Phoenix	
BK4 (4 way)	6	G5 \ 4 (4 way)	6
BK6 (6 way)	4	G5 \ 6 (6 way)	4
BK12 (12 way)	2	G5 \ 12 (12 way)	2
MK6/4	4	UK 3 N	39
MK6/6	3	UK 5 N	33
SAK2.5	34	UK 10 N *	20
SAK4	34	UK 16 N *	16
SAK6N	25	UK 35 N *	13
SAK10 *	20		
SAK16 *	17		
SAK35 *	11		
Entelec			
MA2.5/5	41		
M4/6	34		
M6/8	25		
M10/10 *	20		
M16/12 *	17		
M35/16 *	12		
* Care must be taken to ensure that the size of this enclosure can accommodate the cable bending radius.			

Cable Gland Entry Matrix		
Entry Size	Side A-C	Side B-D
M16	12	4
M20	6	1
M25	4	1
M32	3	1
M40	0	0

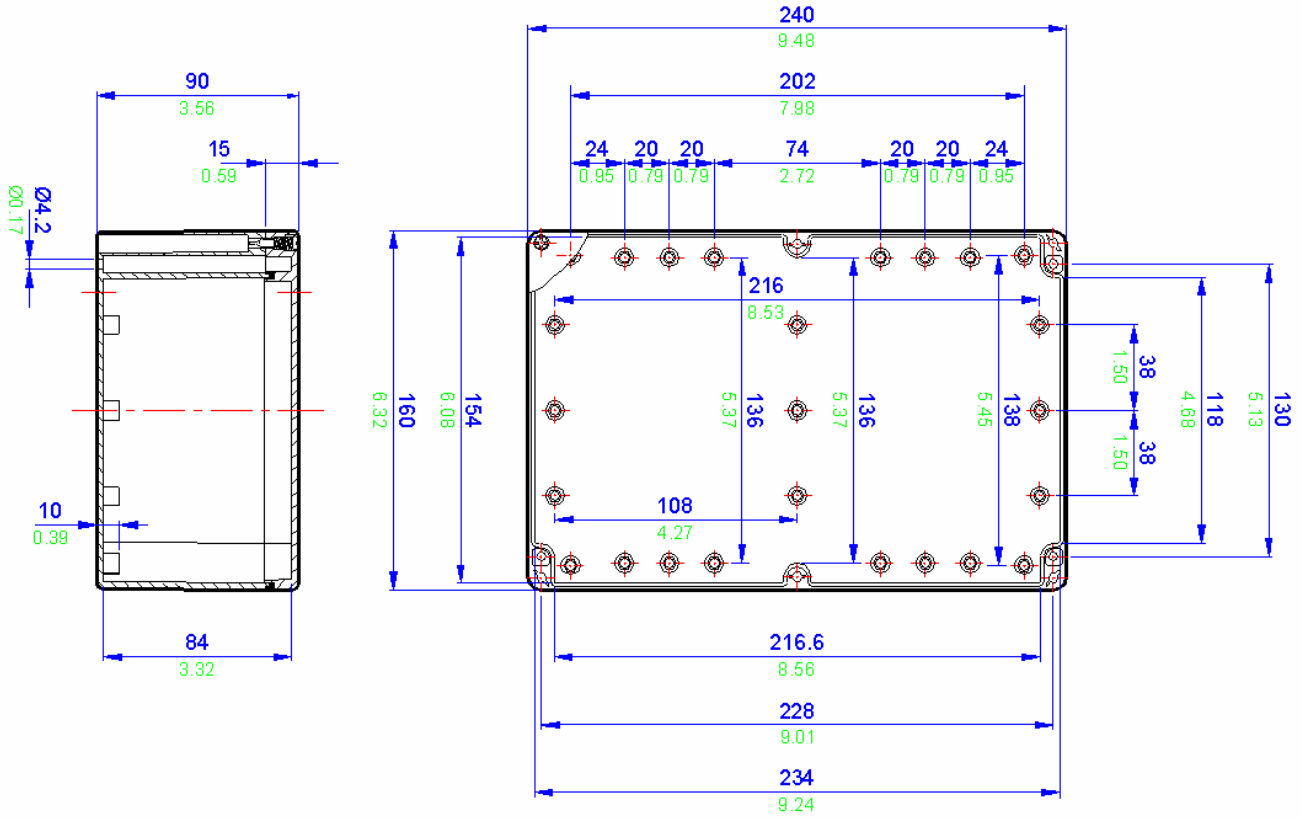
Drilling Envelope Size	
Side A-C	214 x 64mm
Side B-D	76 x 64mm



Technical 9	Others 8	ZP Range 7	Fire Rated 6	High Voltage 5	ZAG Range 4	BPGA Range 3	BPG Range 2	SX Range 1
----------------	-------------	---------------	-----------------	-------------------	----------------	-----------------	----------------	---------------



ZP 14 Drawing



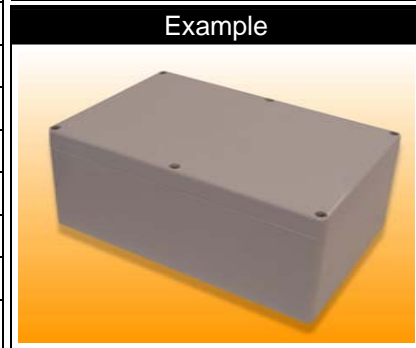
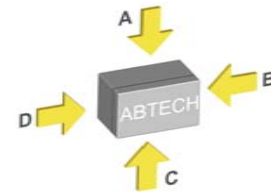
All blue dimensions in mm, all green dimensions in decimal inches (drawing not to scale)

ZP14 Specifications	
Width	240mm
Length	160mm
Depth	90mm
Material	Moulded Polycarbonate (RAL7035 grey)
	Moulded ABS (RAL7035 grey)
Weight	Polycarbonate 645g ABS 575g
IP Rating	65
Temperature	Polycarbonate versions -40° to 80° C (-94°F to 176°F) (with standard neoprene gasket)
	Polycarbonate versions -40° to 120° C (-94°F to 248°F) (with optional silicone gasket)
	ABS versions -40° to 65° C (-94°F to 149°F)
Certification	NEMA Types 1, 4X, 12
	UL
Power Rating	Not Applicable

Terminal Populations			
Maximum Number of Rows			1
Weidmuller		Phoenix	
BK4 (4 way)	6	G5 \ 4 (4 way)	6
BK6 (6 way)	4	G5 \ 6 (6 way)	4
BK12 (12 way)	2	G5 \ 12 (12 way)	2
MK6/4	4	UK 3 N	39
MK6/6	3	UK 5 N	33
SAK2.5	34	UK 10 N *	20
SAK4	34	UK 16 N *	16
SAK6N	25	UK 35 N *	13
SAK10 *	20		
SAK16 *	17		
SAK35 *	11		
Entelec			
MA2.5/5	41		
M4/6	34		
M6/8	25		
M10/10 *	20		
M16/12 *	17		
M35/16 *	12		
* Care must be taken to ensure that the size of this enclosure can accommodate the cable bending radius.			

Cable Gland Entry Matrix		
Entry Size	Side A-C	Side B-D
M16	12	6
M20	4	2
M25	4	2
M32	2	2
M40	0	0

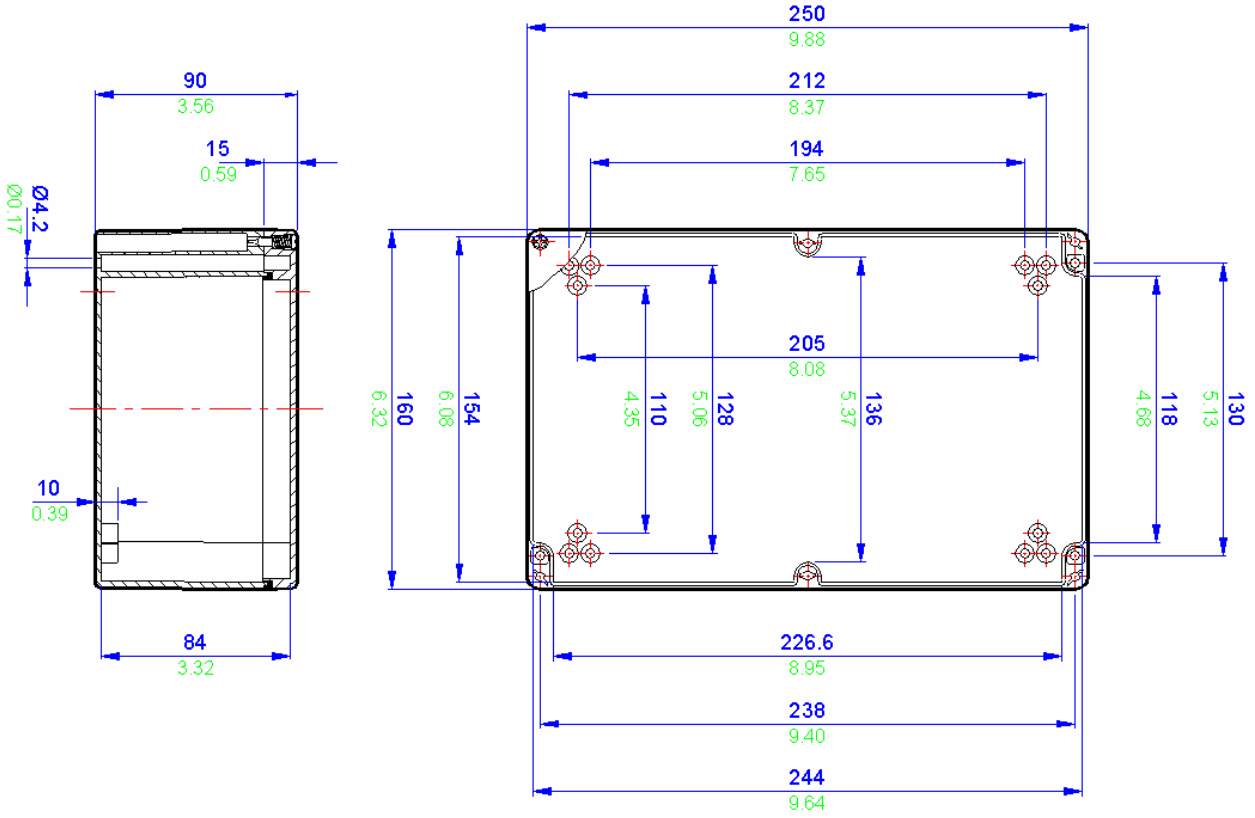
Drilling Envelope Size	
Side A-C	100 x 64mm (x2)
Side B-D	106 x 64mm



Technical 9	Others 8	ZP Range 7	Fire Rated 6	High Voltage 5	ZAG Range 4	BPGA Range 3	BPG Range 2	SX Range 1
----------------	-------------	---------------	-----------------	-------------------	----------------	-----------------	----------------	---------------



ZP 15 Drawing



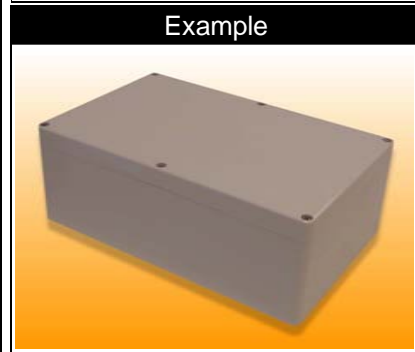
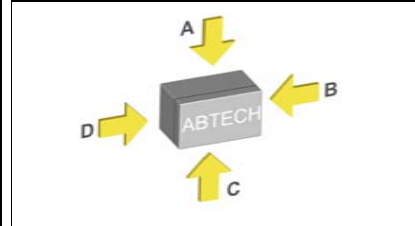
All blue dimensions in mm, all green dimensions in decimal inches (drawing not to scale)

ZP15 Specifications	
Width	250mm
Length	160mm
Depth	90mm
Material	Moulded Polycarbonate (RAL7035 grey)
	Moulded ABS (RAL7035 grey)
Weight	Polycarbonate 550g ABS 495g
IP Rating	65
Temperature	Polycarbonate versions -40° to 80° C (-94°F to 176°F) (with standard neoprene gasket)
	Polycarbonate versions -40° to 120° C (-94°F to 248°F) (with optional silicone gasket)
	ABS versions -40° to 65° C (-94°F to 149°F)
Certification	NEMA Types 1, 4X, 12
	UL
Power Rating	Not Applicable

Terminal Populations			
Maximum Number of Rows			1
Weidmuller		Phoenix	
BK4 (4 way)	6	G5 \ 4 (4 way)	6
BK6 (6 way)	4	G5 \ 6 (6 way)	4
BK12 (12 way)	2	G5 \ 12 (12 way)	2
MK6/4	4	UK 3 N	42
MK6/6	3	UK 5 N	42
SAK2.5	36	UK 10 N *	21
SAK4	36	UK 16 N *	17
SAK6N	27	UK 35 N *	14
SAK10 *	21		
SAK16 *	18		
SAK35 *	12		
Entelec			
MA2.5/5	43		
M4/6	36		
M6/8	27		
M10/10 *	21		
M16/12 *	18		
M35/16 *	13		
* Care must be taken to ensure that the size of this enclosure can accommodate the cable bending radius.			

Cable Gland Entry Matrix		
Entry Size	Side A-C	Side B-D
M16	12	6
M20	4	2
M25	4	2
M32	2	2
M40	0	0

Drilling Envelope Size	
Side A-C	104 x 65mm (x2)
Side B-D	116 x 65mm



Technical 9	Others 8	ZP Range 7	Fire Rated 6	High Voltage 5	ZAG Range 4	BPGA Range 3	BPG Range 2	SX Range 1
----------------	-------------	---------------	-----------------	-------------------	----------------	-----------------	----------------	---------------

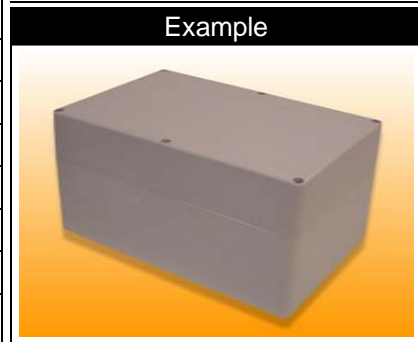
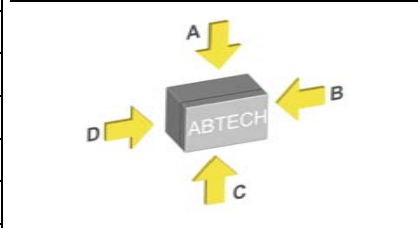
ZP16 Specifications	
Width	240mm
Length	160mm
Depth	120mm
Material	Moulded Polycarbonate (RAL7035 grey)
	Moulded ABS (RAL7035 grey)
Weight	Polycarbonate 805g ABS 720g
IP Rating	65
Temperature	Polycarbonate versions -40° to 80° C (-94°F to 176°F) (with standard neoprene gasket)
	Polycarbonate versions -40° to 120° C (-94°F to 248°F) (with optional silicone gasket)
	ABS versions -40° to 65° C (-94°F to 149°F)
Certification	NEMA Types 1, 4X, 12
	UL
Power Rating	Not Applicable

Terminal Populations			
Maximum Number of Rows			1
Weidmuller		Phoenix	
BK4 (4 way)	6	G5 \ 4 (4 way)	6
BK6 (6 way)	4	G5 \ 6 (6 way)	4
BK12 (12 way)	2	G5 \ 12 (12 way)	2
MK6/4	4	UK 3 N	39
MK6/6	3	UK 5 N	33
SAK2.5	34	UK 10 N *	20
SAK4	34	UK 16 N *	16
SAK6N	25	UK 35 N *	13
SAK10 *	20		
SAK16 *	17		
SAK35 *	11		
Entelec			
MA2.5/5	41		
M4/6	34		
M6/8	25		
M10/10 *	20		
M16/12 *	17		
M35/16 *	12		

* Care must be taken to ensure that the size of this enclosure can accommodate the cable bending radius.

Cable Gland Entry Matrix		
Entry Size	Side A-C	Side B-D
M16	12	6
M20	4	3
M25	4	2
M32	2	2
M40	0	0

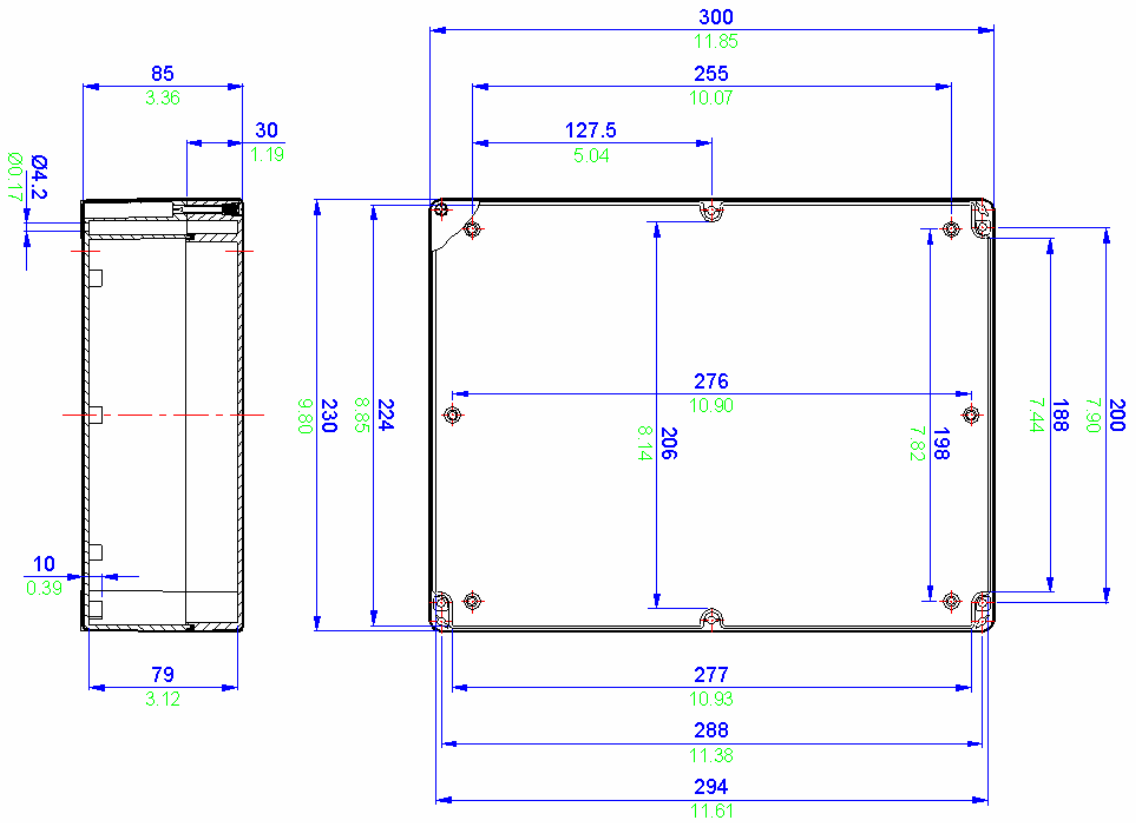
Drilling Envelope Size	
Side A-C	100 x 64mm (x2)
Side B-D	106 x 64mm



Technical 9	Others 8	ZP Range 7	Fire Rated 6	High Voltage 5	ZAG Range 4	BPGA Range 3	BPG Range 2	SX Range 1
----------------	-------------	---------------	-----------------	-------------------	----------------	-----------------	----------------	---------------



ZP 17 Drawing



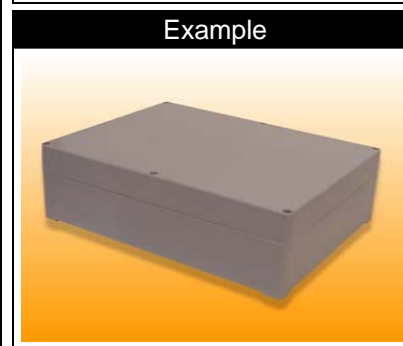
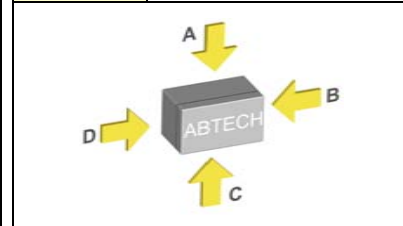
All blue dimensions in mm, all green dimensions in decimal inches (drawing not to scale)

ZP17 Specifications	
Width	300mm
Length	230mm
Depth	85mm
Material	Moulded Polycarbonate (RAL7035 grey)
	Moulded ABS (RAL7035 grey)
Weight	Polycarbonate 930g ABS 875g
IP Rating	65
Temperature	Polycarbonate versions -40° to 80° C (-94°F to 176°F) (with standard neoprene gasket)
	Polycarbonate versions -40° to 120° C (-94°F to 248°F) (with optional silicone gasket)
	ABS versions -40° to 65° C (-94°F to 149°F)
Certification	NEMA Types 1, 4X, 12
	UL
Power Rating	Not Applicable

Terminal Populations					
Maximum Number of Rows					1
Weidmuller			Phoenix		
BK4 (4 way)	10	G5 \ 4 (4 way)	6		
BK6 (6 way)	6	G5 \ 6 (6 way)	4		
BK12 (12 way)	4	G5 \ 12 (12 way)	2		
MK6/4	6	UK 3 N	39		
MK6/6	4	UK 5 N	33		
SAK2.5	56	UK 10 N *	20		
SAK4	56	UK 16 N *	16		
SAK6N	42	UK 35 N *	13		
SAK10 *	34				
SAK16 *	28				
SAK35 *	18				
Entelec					
MA2.5/5	68				
M4/6	56				
M6/8	42				
M10/10 *	34				
M16/12 *	28				
M35/16 *	20				
* Care must be taken to ensure that the size of this enclosure can accommodate the cable bending radius.					

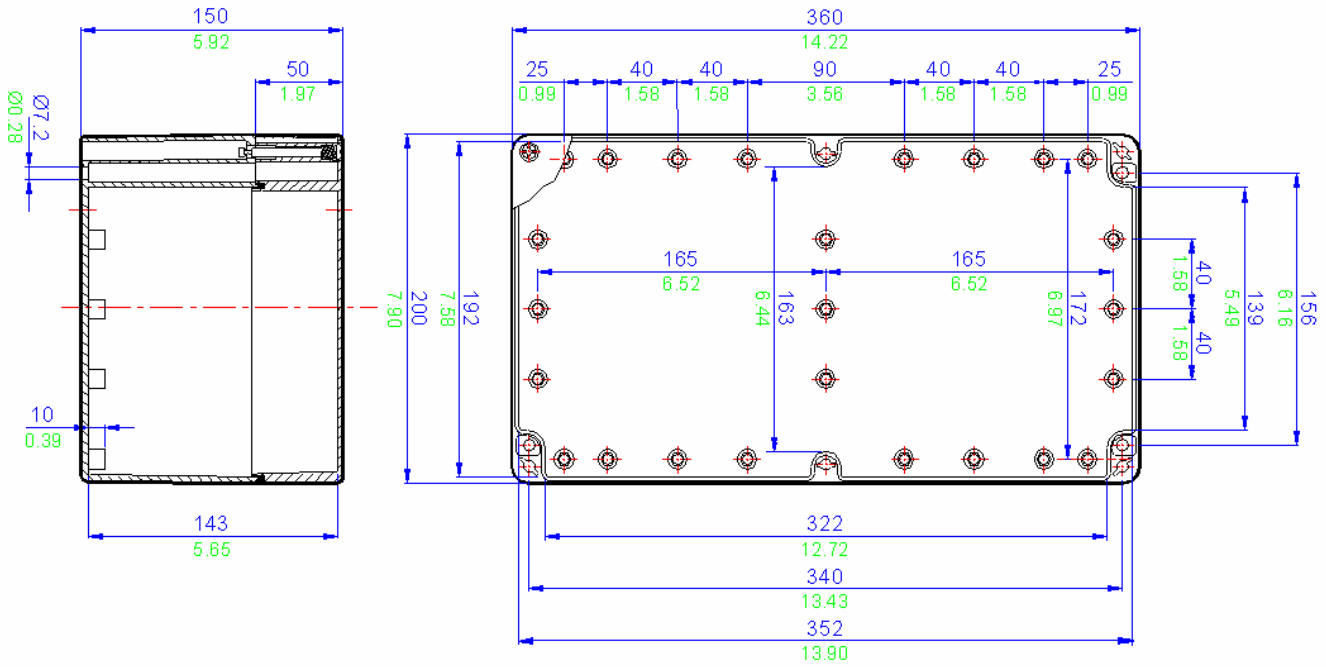
Cable Gland Entry Matrix		
Entry Size	Side A-C	Side B-D
M16	8	5
M20	6	4
M25	0	0
M32	0	0
M40	0	0

Drilling Envelope Size	
Side A-C	130 x 44mm (x2)
Side B-D	186 x 44mm





ZP 18 Drawing



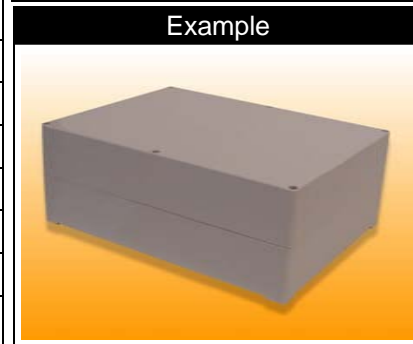
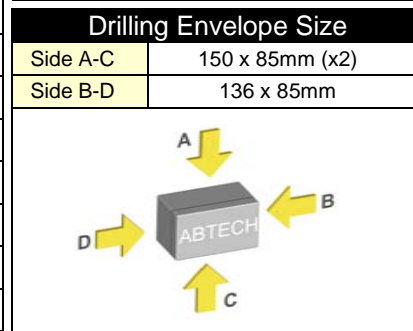
All blue dimensions in mm, all green dimensions in decimal inches (drawing not to scale)

ZP18 Specifications	
Width	360mm
Length	200mm
Depth	150mm
Material	Moulded Polycarbonate (RAL7035 grey)
	Moulded ABS (RAL7035 grey)
Weight	Polycarbonate 1850g ABS 1625g
IP Rating	65
Temperature	Polycarbonate versions -40° to 80° C (-94°F to 176°F) (with standard neoprene gasket)
	Polycarbonate versions -40° to 120° C (-94°F to 248°F) (with optional silicone gasket)
	ABS versions -40° to 65° C (-94°F to 149°F)
Certification	NEMA Types 1, 4X, 12
	UL
Power Rating	Not Applicable

Terminal Populations			
Maximum Number of Rows			1
Weidmuller		Phoenix	
BK4 (4 way)	18	G5 \ 4 (4 way)	18
BK6 (6 way)	12	G5 \ 6 (6 way)	12
BK12 (12 way)	6	G5 \ 12 (12)	6
MK6/4	14	UK 3 N	126
MK6/6	8	UK 5 N	106
SAK2.5	110	UK 10 N *	64
SAK4	110	UK 16 N *	54
SAK6N	82	UK 35 N *	42
SAK10 *	66		
SAK16 *	54		
SAK35 *	36		
Entrelec			
MA2.5/5	132		
M4/6	110		
M6/8	82		
M10/10 *	66		
M16/12 *	54		
M35/16 *	36		

* Care must be taken to ensure that the size of this enclosure can accommodate the cable bending radius.

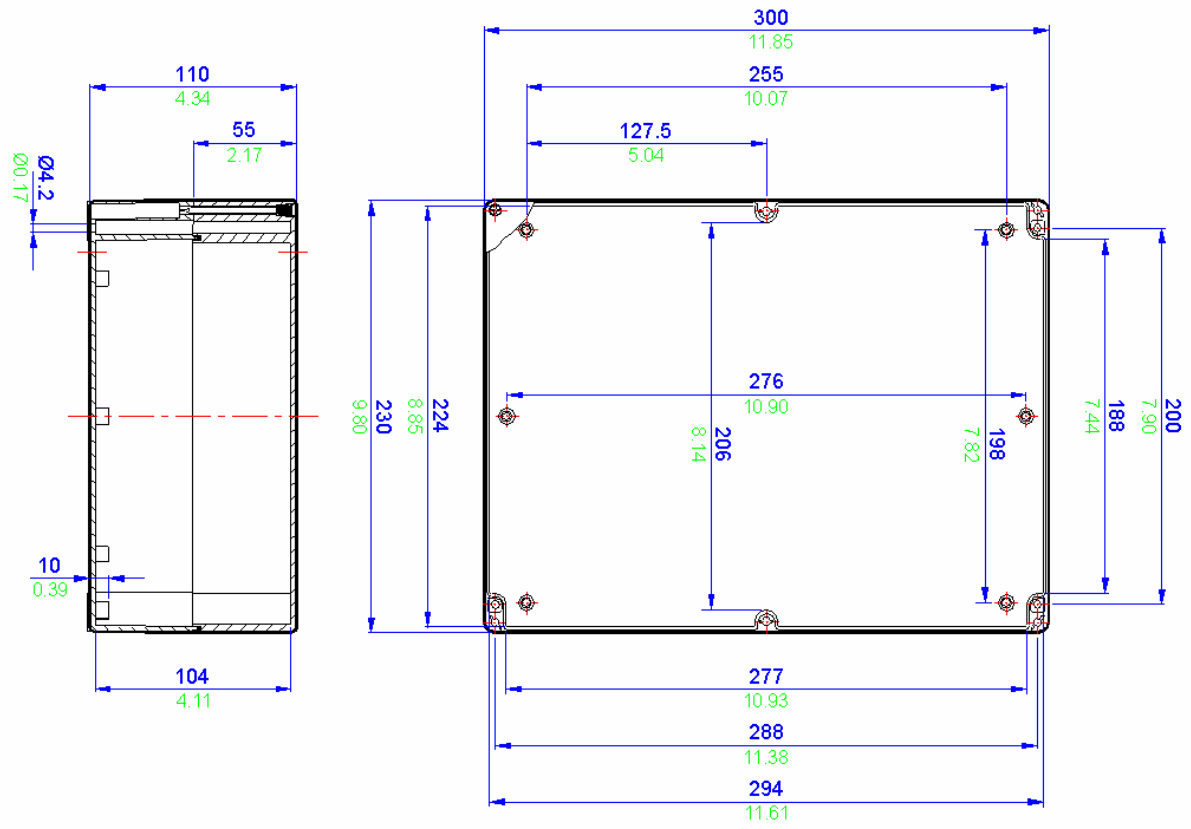
Cable Gland Entry Matrix		
Entry Size	Side A-C	Side B-D
M16	18	9
M20	12	6
M25	8	4
M32	4	2
M40	4	2



Technical 9	Others 8	ZP Range 7	Fire Rated 6	High Voltage 5	ZAG Range 4	BPGA Range 3	BPG Range 2	SX Range 1
----------------	-------------	---------------	-----------------	-------------------	----------------	-----------------	----------------	---------------



ZP 19 Drawing



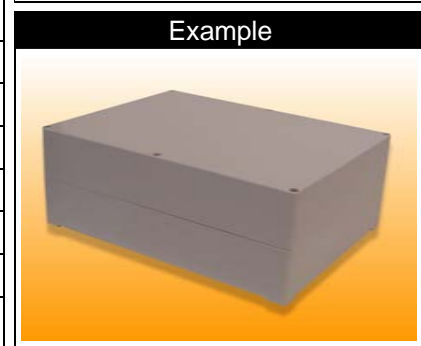
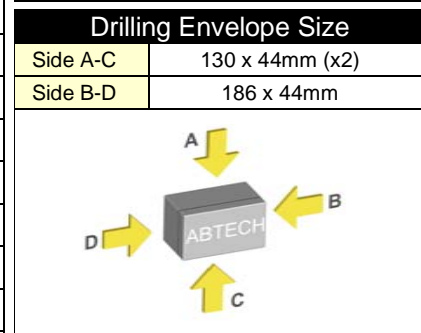
All blue dimensions in mm, all green dimensions in decimal inches (drawing not to scale)

ZP19 Specifications	
Width	300mm
Length	230mm
Depth	110mm
Material	Moulded Polycarbonate (RAL7035 grey)
	Moulded ABS (RAL7035 grey)
Weight	Polycarbonate 1250g ABS 1025g
IP Rating	65
Temperature	Polycarbonate versions -40° to 80° C (-94°F to 176°F) (with standard neoprene gasket)
	Polycarbonate versions -40° to 120° C (-94°F to 248°F) (with optional silicone gasket)
	ABS versions -40° to 65° C (-94°F to 149°F)
Certification	NEMA Types 1, 4X, 12
	UL
Power Rating	Not Applicable

Terminal Populations			
Maximum Number of Rows			1
Weidmuller		Phoenix	
BK4 (4 way)	10	G5 \ 4 (4 way)	10
BK6 (6 way)	6	G5 \ 6 (6 way)	6
BK12 (12 way)	4	G5 \ 12 (12 way)	4
MK6/4	6	UK 3 N	64
MK6/6	4	UK 5 N	54
SAK2.5	56	UK 10 N *	32
SAK4	56	UK 16 N *	28
SAK6N	42	UK 35 N *	22
SAK10 *	34		
SAK16 *	28		
SAK35 *	18		
Entrelec			
MA2.5/5	68		
M4/6	56		
M6/8	42		
M10/10 *	34		
M16/12 *	28		
M35/16 *	20		

* Care must be taken to ensure that the size of this enclosure can accommodate the cable bending radius.

Cable Gland Entry Matrix		
Entry Size	Side A-C	Side B-D
M16	8	5
M20	6	4
M25	0	0
M32	0	0
M40	0	0



Technical 6	Others 8	ZP Range 7	Fire Rated 9	High Voltage 5	ZAG Range 4	BPGA Range 3	BPG Range 2	SX Range 1
----------------	-------------	---------------	-----------------	-------------------	----------------	-----------------	----------------	---------------

7
ZP Range

