

BPG13 / BPGc13

Glass Reinforced Polyester Enclosures

IP66/7

Application

Hazardous and Industrial areas

Protection Degree

IP66 or 67

Certification

ATEX & IECEx (Zone 1 & 2; Zone 21 & 22)
TR CU
NEMA 4X (CSA, UL & FM) Class 1 Division 2

Material

Glass Reinforced Polyester (RAL7001 grey) or
Carbon Loaded Glass Reinforced Polyester (Black)

Temperature Rating

Hazardous Area: -65°C to +130°C
Non Hazardous: -70°C to +130°C

Power Rating

20.867W



Terminal Populations (Maximum Number of Rails = 2)

Calculations do not include the use of end stops, end plates and separators. Check that the enclosure can accommodate the cable bending radius and that the earth stud and entry location will permit the required number of terminals to be fitted

Weidmuller	
BK4 (4 way)	20
BK6 (6 way)	14
BK12 (12 way)	6
MK 6/3	14
MK 6/4	14
MK 6/6	10
SAK 2.5	118
SAK 4	108
SAK 6N	88
SAK 10	72
SAK 16	60
SAK 35	36

Entrelec	
MA2.5/5	140
M4/6	118
M6/8	88
M10/10	72
M16/12	60
M35/16	44

Wago	
280-992	132
280-999	132
281-691	114
281-992	114
281-993	114
282-691	88
284-691	70
283-691	29
285-691	20
280-998	132
281-998	114
264-120	118
264-220	70
264-132(2)	24
264-134(4)	16
262-132(2)	24
264-134(4)	16

Drilling Envelope Dimensions (mm)

	Side A - C	Side B - D
Width	350	170
Height	89	84

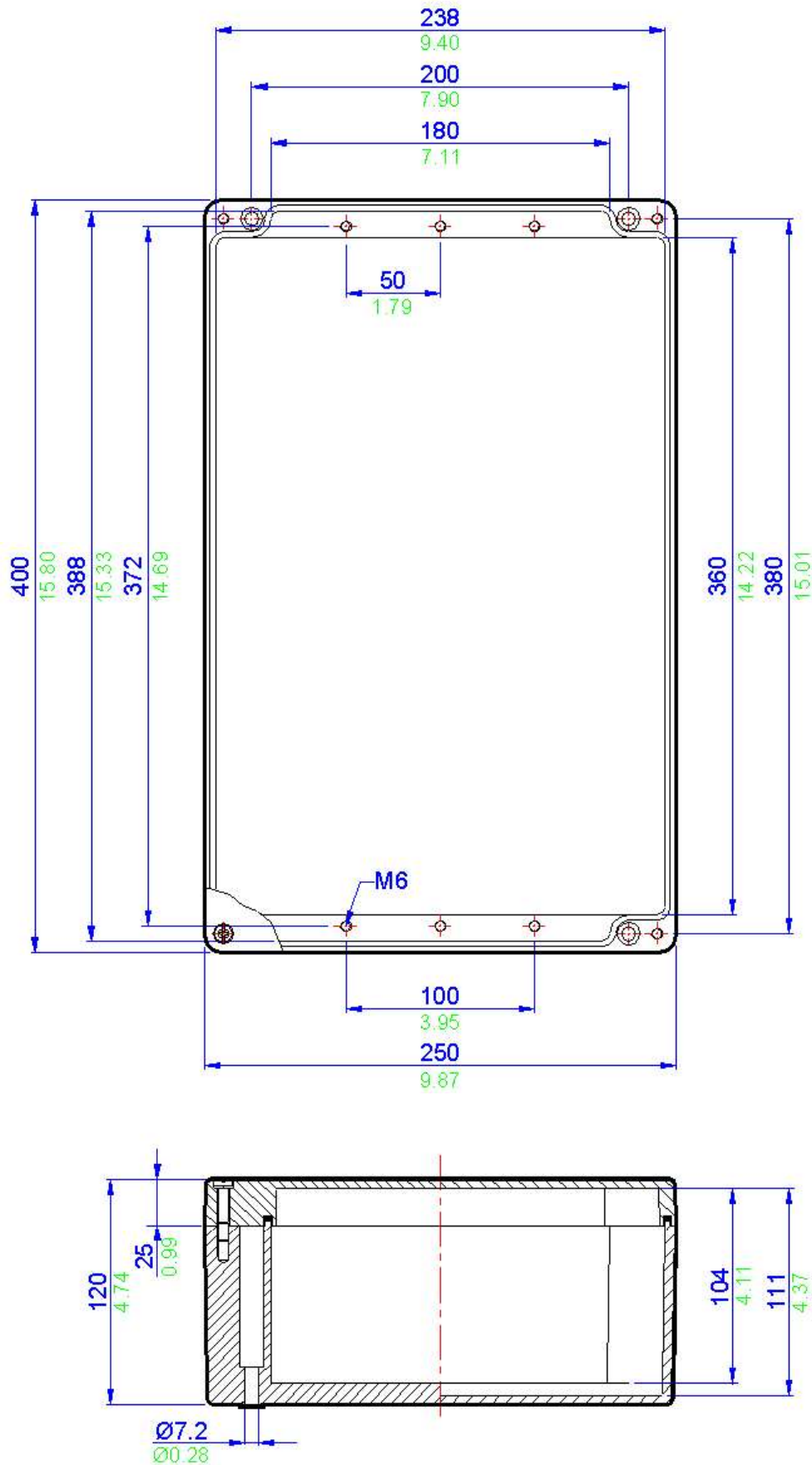
Gland Entry Matrix *

Size	Side A - C	Side B - D
M16	30	12
M20	16	8
M25	14	4
M32	6	2
M40	5	2

* Using standard gland clearances

Specifications

Part Number	Material	Width (mm)	Length (mm)	Depth (mm)	Weight (g)
BPG13	GRP	400	250	120	3650
BPGc13	Carbon Loaded GRP	400	250	120	3650



All blue dimensions in mm, all green dimensions in decimal inches (drawing not to scale)