

# AL105NSONTELFASH

Telephone Initiated Alarm Sounder & Xenon beacon

The AL105NSONTELFASH is a compact, high output, 105dB(A) telephone initiated alarm sounder and 5 Joule Xenon beacon.

## Features:

- Continuously rated.
- Stainless steel fixings.
- Unit can be mounted using external lugs or internal BESA compatible fixing positions.
- Tropicalisation available on request.

## Approvals:

- GOST-R approved. Cert: POCC GB-JB05-B02228

## Part codes:

### Part code:

AL105NSONTELFASH[x]/[y]

[x] = Housing colour:

G: Grey R: Red W: White

[y] = Lens colour:

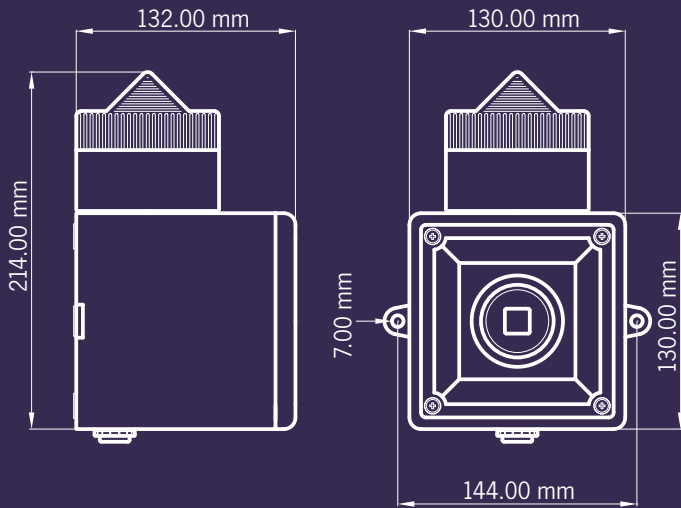
A: Amber B: Blue C: Clear

G: Green, O: Opal, R: Red, Y: Yellow



A105NSONTEL Telephone initiated alarm sounder



**Specification:****Sounder:**

Nominal output:	105dB(A) @ 1m +/- 3dB
No. of tones:	3
Volume control:	Max. 105dB(A); Min. 90dB(A)
Effective range:	60m @ 1KHz

**Beacon:**

Energy:	5 Joules (5Ws)
Flash rate:	1Hz (60 fpm)
Peak Candela:	78,801 cd
Effective Intensity cd:	196 cd*
Lens colours:	Amber, Blue, Clear, Green, Opal, Red & Yellow
Tube life:	Emissions are reduced to 70% after 8 million flashes

**General:**

Sounder Supply:	Direct power from telephone line (REN 1)
Beacon Supply:	230V ac (telephone initiated)
Ingress protection:	IP56
Housing material:	High impact UL94 V0 & 5VA FR ABS
Colour:	Red (RAL3000), grey (RAL7038) & white.
Cable entries:	2 x M20 clearance gland knockouts in side & back
Terminals:	0.5 to 2.5mm <sup>2</sup> cables.
Operating temperature:	-25 to +55°C
Storage temperature:	-40 to +70°C
Relative humidity:	90% at 20°C.
Weight :	0.95kg

**Tones:**

Tone 1	Siren Tone
Tone 2	Alternating tone
Tone 3	Sweeping tone