

intelligent light
ADALIT

L-3000

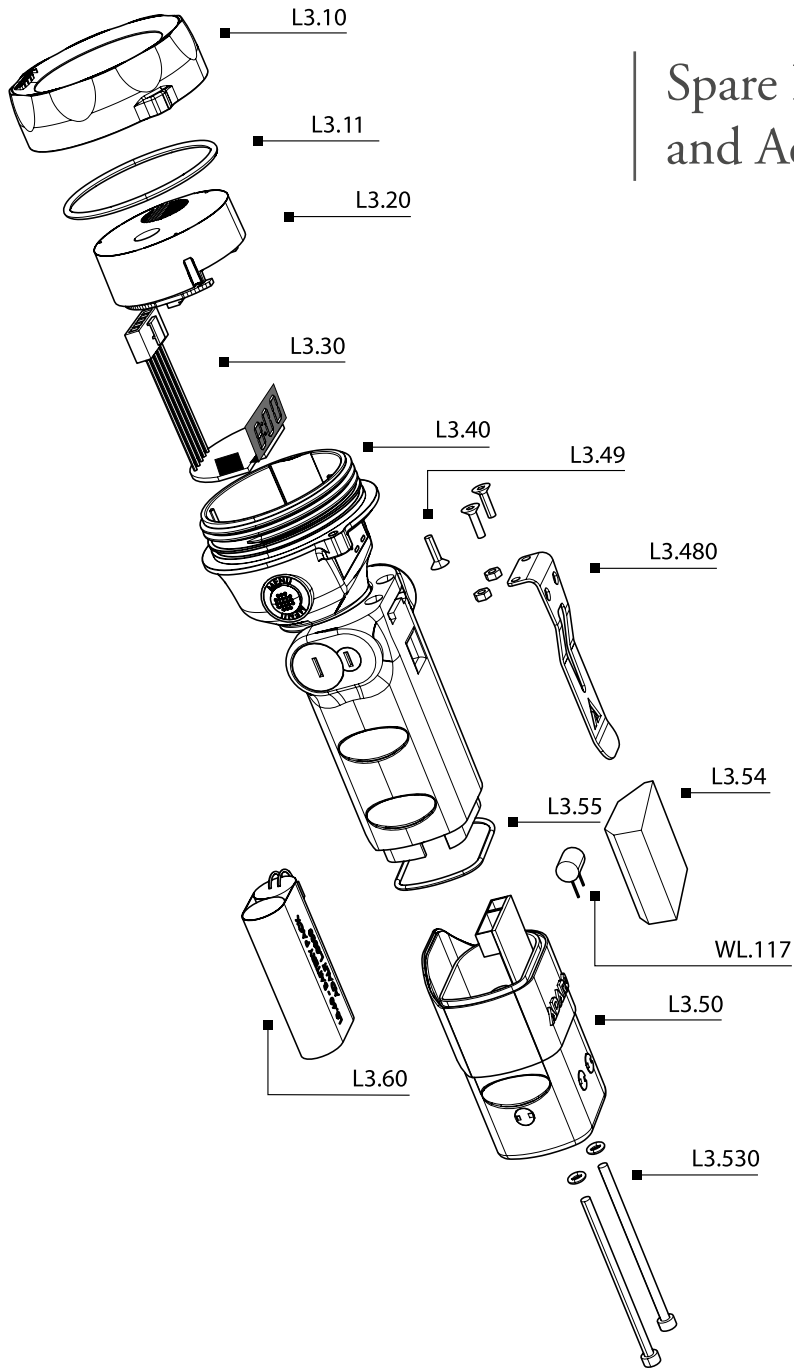
PROFESSIONAL



| SPARE PARTS AND ACCESORIES

ADALIT L3000

Spare Parts and Accessories



Code	Description
L3.10	Closing ring and protection glass
L3.11	"O ring" for closing ring
L3.20	LedEngine
L3.30	PCB with display
L3.40	Complete head with turning axle
L3.49	Screw
L3.480	Clip
L3.54	Rubber battery protection
L3.55	Torch body "O ring"
L3.50	Torch body including charging PCB
L3.530	Torch body screw with ring
L3.60	Battery pack
WL.117	Fuse 1A
CD.3000R	Red signalling cone
CD.3000A	Yellow signalling cone
586.06.580	Holster