

Obstruction Light



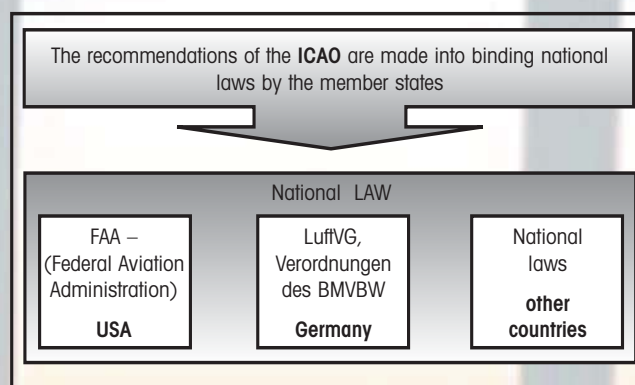
Obstruction lighting is a means of ensuring flight safety by marking aviation obstacles with electrically operated beacons. High buildings, factory chimneys, towers, masts etc. above a certain height in the vicinity of airports and airfields must be equipped with obstruction lights.



LEGAL SPECIFICATIONS

The method of marking obstacles to air traffic is laid down by diverse laws, regulations and recommendations.

The International Civil Aviation Organisation (ICAO) is a special organisation within the United Nations created to establish and develop universal regulations for safety, order and economic sense in international air traffic. The recommendations of the ICAO are not directly binding in the member states, but must be transformed by them into the appropriate national legal regulations.

In Germany the Ministry for Transport and Construction (BMVBW) issues the regulations regarding obstruction lighting on buildings.



AREAS OF USE		
	Germany	Marking of aviation obstacles by night at any height providing the highest point of the obstacle can be marked.
	ICAO	Marking of aviation obstacles up to 45 m by night.



LEGAL REQUIREMENTS FOR OBSTRUCTION LIGHTING

- Light output at least 10 cd in a horizontal beam angle of -2° to 10°
- Light colour: aviation red
- The photometric requirements must be met to a full 360° around the obstruction light (omnidirectional obstruction light).



Flange for
tube mounting
(accessory)

- LED obstruction light, certified in accordance with German BMVBW regulations
- For use as "Low-intensity Obstruction Light, Type A" in accordance with ICAO Appendix 14, Vol. 1, Chapter 6
- Extremely high light intensity of more than 15 cd
- High protection rating IP 65
- High impact resistance to 20 Joules
- DC multi-voltage version

TECHNICAL SPECIFICATIONS:

Dimensions (Diameter x Height):	142 mm x 216 mm	
Housing:	PC/ABS-Blend	
Dome:	PC, transparent, clear	
Fixing:	Base, bracket, tube mounting	
Connection:	Screwable conn. with wire protection max. 2.5 mm ² Contact protection according to VDE	
Cable entry:	Cable diameter 5-7 mm	
Life duration:	up to 50,000 hrs	
Duty cycle:	100 %	

ORDER SPECIFICATIONS:

Voltage:	24 V = (12-50 V)	230 V ~
Current consumption:	12 V: 500 mA 50 V: 100 mA	50 mA
aviation red	280 410 55	280 410 68

Available from January 2006.

ACCESSORIES:

Plastic bracket for wall mounting	975 883 06
Flange for tube mounting max. 25.3 mm	975 883 02
Wire guard	975 883 08

TECHNICAL DIAGRAMS:

see page 195



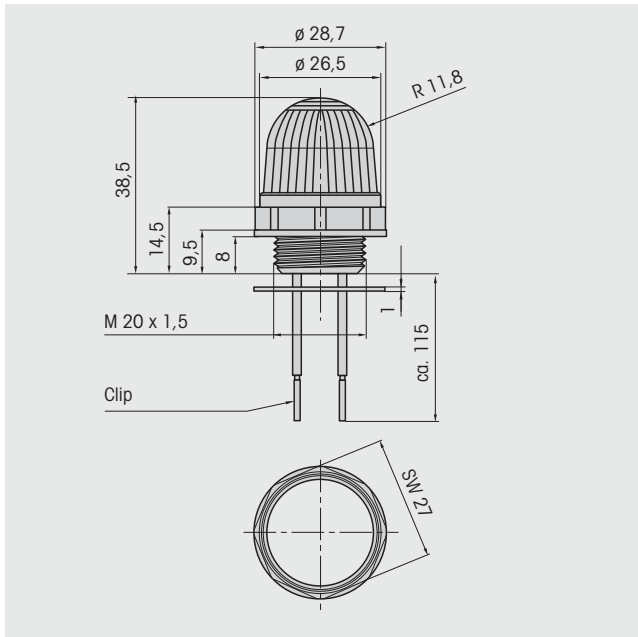
Extremely high light output using
unique LED technology.



Technical Diagrams

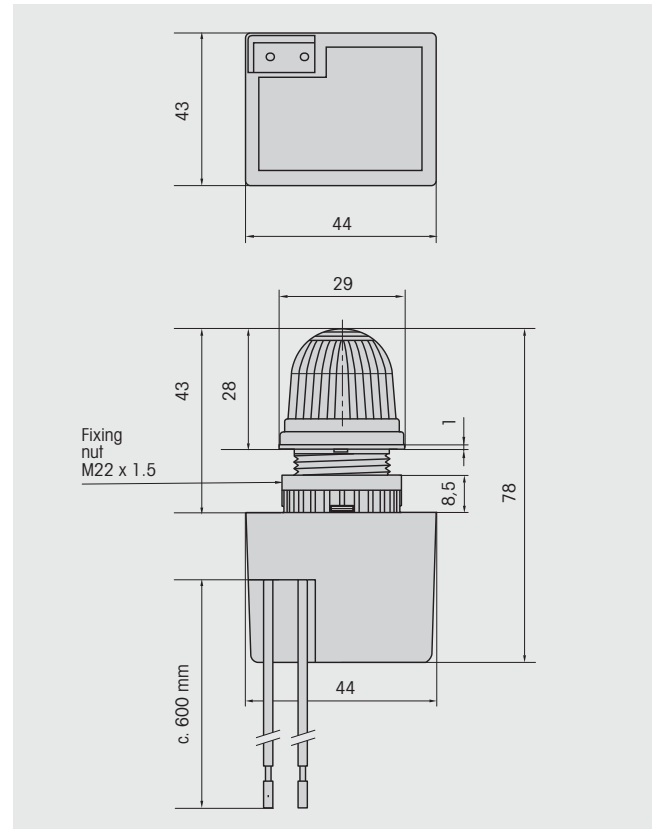
230

LED Installation Beacon



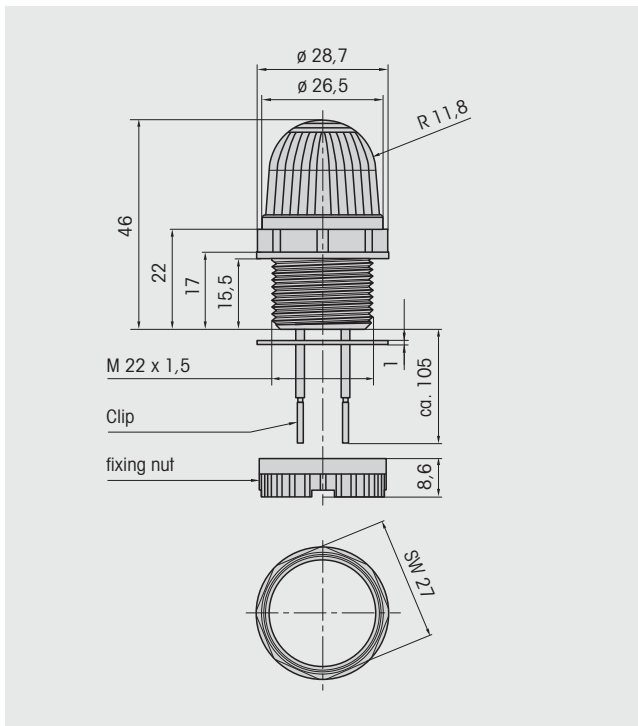
232

Installation Flashing Beacon



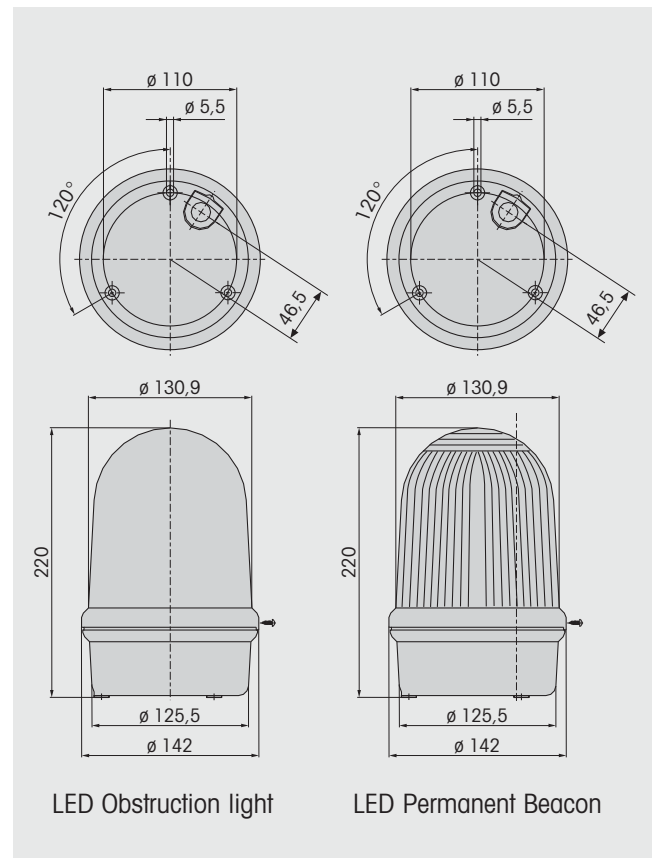
231

LED Installation Beacon



280

LED Obstruction Light
LED Permanent Beacon

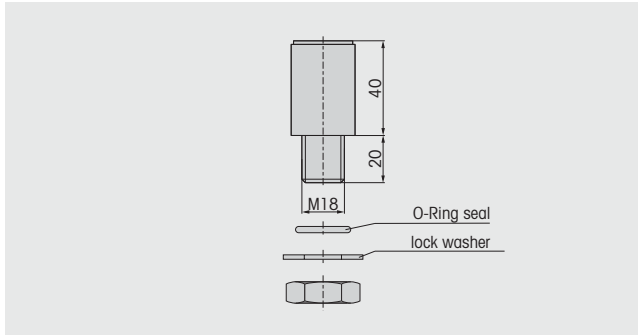


Technical
Diagrams

Technical Diagrams Accessories

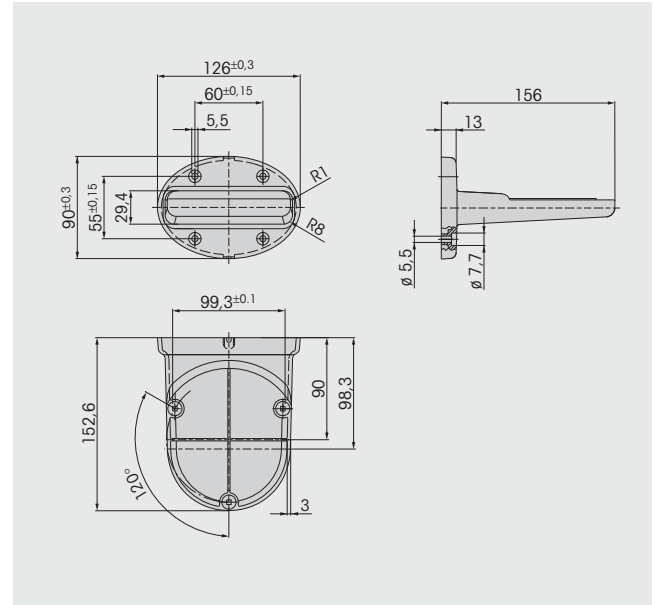
975 845 03

Adapter for single hole mounting



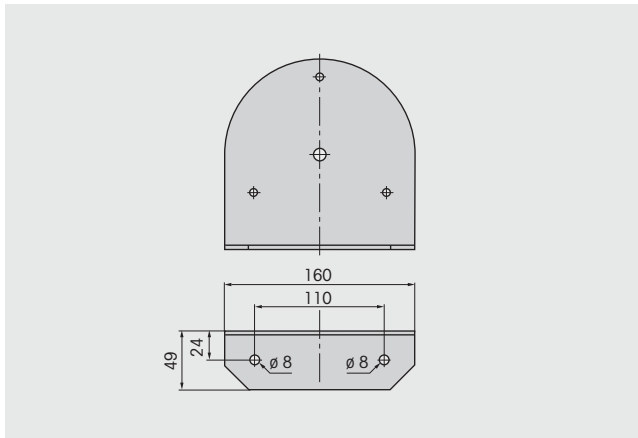
975 883 06

Bracket



975 881 01

Bracket

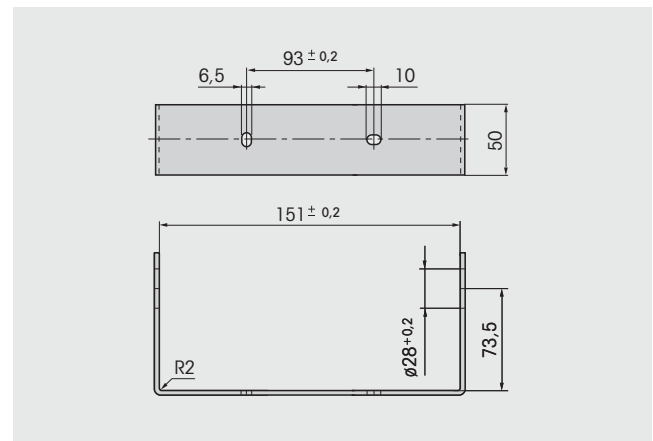


975 890 19

975 890 21

975 890 22

Fixing bow



975 883 02

Flange for tube mounting

