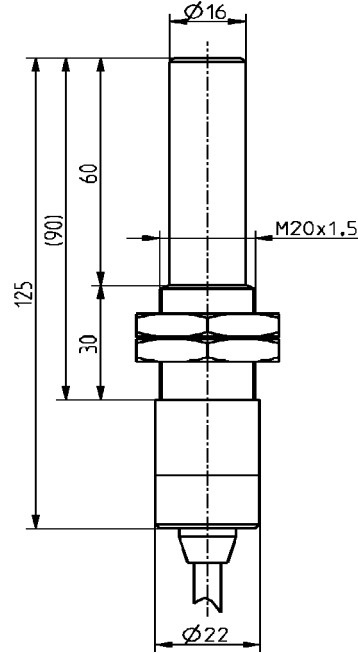


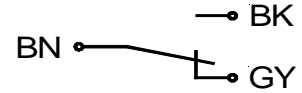
Magnetic sensor,
cylindrical form

RC M20 1W-5m NIRO Extreme .steute

Dimensions



Contact diagram

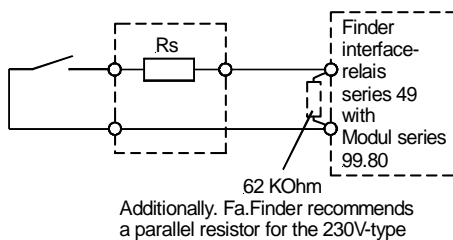


Technical Data

Standards:	EN 60947-5-1
Enclosure:	stainless steel
Actuator:	series M permanent magnet
Cable:	pre-wired cable H05VV-F , 5 m long
Contact material:	Rhodium
Switching system:	reed contacts
Switching elements:	change-over contact
Switching voltage:	max. 250 V AC/DC
Switching current:	max. 1.5 A
Switching capacity:	max. 50 W
Ambient temperature:	-10°C to +80°C
Mechanical life:	>10 ⁹ operations
Switching frequency:	max. 200 Hz
Resistance to vibrations:	10 ... 50 g
Protection class:	IP 67 to IEC/EN 60529

coil voltage	serial resistor Rs
24 VDC	27 Ohm
24 VAC	39 Ohm
230 VAC	330 Ohm / 0,6 W

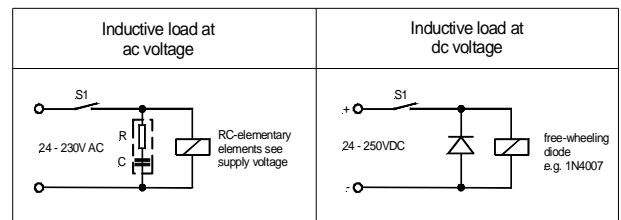
Due to the cable capacitances it is necessary to place the series resistors as near as possible to the reed contact, in general the next terminal point (junction box)



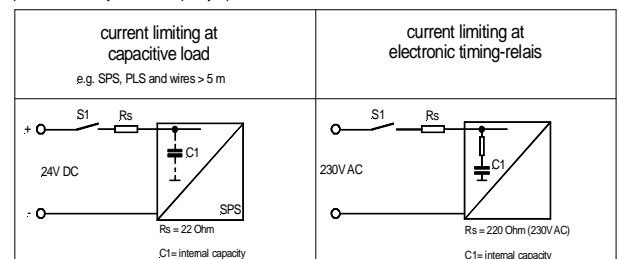
Directive for the protection of reed contacts:

With unknown input currents, input capacitances we recommend the interposing of an interface relais. When using Finderrelais series 49, in the following you will find some proposals to protect the reed contact against overload.

At inductive load :



At capacity load, wires longer than 5m or connection with process control system with capacity input:



Part No.: 22030501 (1183400)