

# HAL121 Electronic Siren, Buzzer, Hooter & Bell

**Applications and users that have traditionally demanded conventional electromechanical hooters, sirens, buzzers and bells can now choose the next generation alternative.**

The E2S Hootronic series of products faithfully reproduce the sounds made by legacy electro-mechanical signalling devices but in a modern, reliable and cost effective way.

With output levels of up to 121dB(A) at 1 metre the HAL121 surpasses legacy electro-mechanical devices in performance and effectiveness, it is also continuously rated, requires zero maintenance and the signal quality will not degrade with age.

## Features:

The products in the Hootronic range have 5 user selectable 'traditional' sounds including:

- Tone 1 : Industrial Hooter
- Tone 2 : High Frequency Mechanical Siren
- Tone 3 : Medium Frequency Mechanical Siren
- Tone 4 : Electro Mechanical Buzzer
- Tone 5 : Mechanical Bell

Each of these sounds have two additional, remotely selectable, alarm stages.

Remote switch generates genuine 'tail off' to sound when alarm is terminated.

- Automatic synchronisation on multi-sounder system.
- Continuously rated.
- Stainless steel fixings.
- Unit can be mounted using external lugs or internal BESA compatible fixing positions.
- Duplicate cable terminations (in & out for daisy-chain installations).
- Tropicalisation available on request.

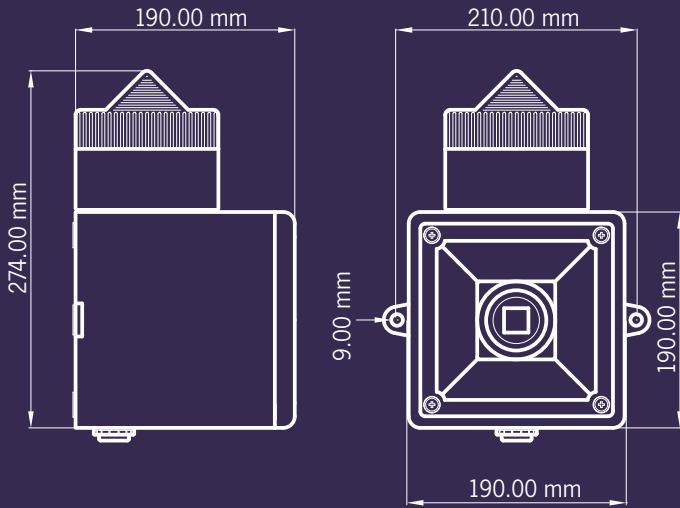
## Part codes:

Version	Part code:
12V dc	HAL121DC12[x]/[y]
24V dc	HAL121DC24[x]/[y]
115V ac	HAL121AC115[x]/[y]
230V ac	HAL121AC230[x]/[y]
[x] = Housing colour:	R: Red, G: Grey
[y] = Lens colour:	A: Amber, B: Blue, C: Clear, G: Green, R: Red, Y: Yellow



HAB121RTH - Hootronic HA121 combined with 40W halogen rotating beacon.





**Specification:**

**Hootronic Sounder:**

Nominal output:	121dB(A) @ 1m +/- 3dB - Tone 2
No. of tones:	5
No. of stages:	3
Volume control:	Max. 121dB(A); Min. 112dB(A) approx.
Effective range:	300m @ 1KHz

**Beacon:**

Energy:	5 Joules (5Ws)
Flash rate:	1Hz (60 fpm)
Peak Candela:	86,953 cd
Effective Intensity cd:	200 cd*
Lens colours:	Amber, Blue, Clear, Green, Opal, Red & Yellow
Tube life:	Emissions are reduced to 70% after 8 million flashes

**General:**

Voltages DC:	12V dc; 24V dc
Voltages AC:	115V ac; 230V ac
Ingress protection:	IP56
Housing material:	High impact UL94 V0 & 5VA FR ABS
Colour:	Red (RAL3000) & grey (RAL7038)
Cable entries:	2 x M20 clearance gland knockouts in side & back
Terminals:	0.5 to 4.0mm <sup>2</sup> cables.
Operating temperature:	-25 to +55°C
Storage temperature:	-40 to +70°C
Relative humidity:	90% at 20°C.
Weight :	DC: 2.30kg AC:2.90kg

\*Candela measurements representative of performance with clear lens at optimum voltage.  
 \*SPL data +/-3dB(A). Measured at optimum voltage.

**Alarm sounder:**

Version:	Voltage range:	Current mA:
24V dc	10-30V dc	375mA*
115V ac 50/60Hz	+/-10%	160mA
230V ac 50/60Hz	+/-10%	75mA

\* current at nominal voltage

**Xenon beacon:**

Version:	Wattage:	Current mA:
12V dc	10-14V dc	500mA
24V dc	20-28V dc	250mA
115V ac 50/60Hz	+/-10%	70mA
230V ac 50/60Hz	+/-10%	35mA

Stage 1	Frequency Description	dB @ 1m	Stage 2	Stage 3
Tone 1	Industrial Hooter	115dB(A) @ 1m	Tone 3	Tone 5
Tone 2	High Frequency Mechanical Siren	119dB(A) @ 1m	Tone 1	Tone 5
Tone 3	Medium Frequency Mechanical Siren	121dB(A) @ 1m	Tone 1	Tone 5
Tone 4	Electro Mechanical Buzzer	119dB(A) @ 1m	Tone 2	Tone 5
Tone 5	Mechanical Bell	113dB(A) @ 1m	Tone 1	Tone 2