

HMA121 Electronic Siren, Buzzer, Hooter & Bell

Applications and users that have traditionally demanded conventional electromechanical hooters, sirens, buzzers and bells can now choose the next generation alternative.

The technology employed in the Hootronic range features the latest in amplifier and digital to analogue conversion technology. The E2S Hootronic series of products faithfully reproduce the sounds made by legacy electro-mechanical signalling devices but in a modern, reliable and cost effective way.

With output levels of up to 124dB(A) at 1 metre the HMA121 surpasses legacy electro-mechanical devices in performance and effectiveness, it is also continuously rated, requires zero maintenance and the signal quality will not degrade with age.

Features:

The products in the Hootronic range have 5 user selectable 'traditional' sounds including:

- Tone 1 : Industrial Hooter
- Tone 2 : High Frequency Mechanical Siren
- Tone 3 : Medium Frequency Mechanical Siren
- Tone 4 : Electro Mechanical Buzzer
- Tone 5 : Mechanical Bell

Each of these sounds have two additional, remotely selectable, alarm stages.

Remote switch generates genuine 'tail off' to sound when alarm is terminated.

- Automatic synchronisation on multi-sounder system.
- Continuously rated.
- Large termination area.
- Stainless steel fixings.
- Ratchet adjustable stainless steel 'U' bracket for 360° positioning.
- Duplicate cable terminations (in & out for daisy-chain installations).
- Tropicalisation available on request.
- GOST-R certificate: POCC GB.JB05.B02205

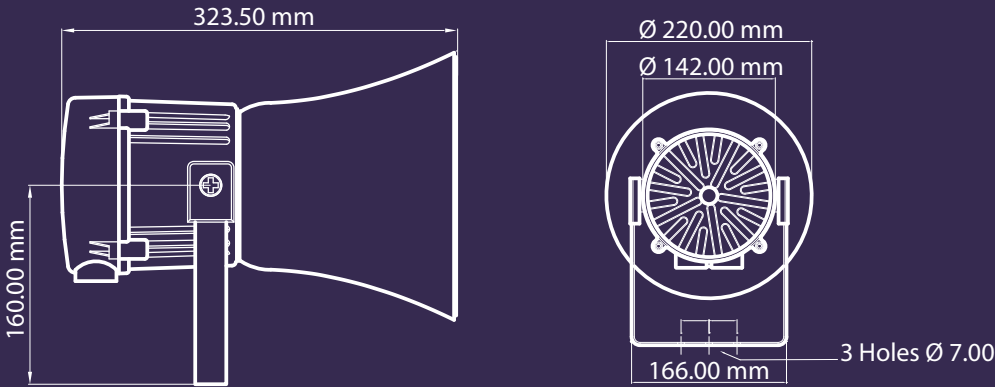
Part codes:

Version	Part code:
24V dc	HMA121DC24G
115V ac	HMA121AC115G
230V ac	HMA121AC230G



HMCA112-05 - Hootronic HMA121 combined with Xenon strobe beacon.





Specification:

Nominal output:	124dB(A) @ 1m +/- 3dB
No. of tones:	5
No. of stages:	3
Volume control:	Max. 124dB(A); Min. 115dB(A) approx.
Effective range:	300m @ 1KHz
Voltages DC:	24V dc (10-30V dc);
Voltages AC:	115V ac; 230V ac
Ingress protection:	IP66 & IP67 (Third party tested)
Housing material:	High impact UL94 V0 & 5VA FR ABS
Colour:	Grey (RAL7038)
Cable entries:	2 x M20 supplied with 1 blanking plug
Terminals:	0.5 to 4.0mm ² cables.
Operating temperature:	-25 to +55°C
Storage temperature:	-40 to +70°C
Relative humidity:	90% at 20°C.
Weight :	DC: 2.50kg AC:3.00kg

Alarm sounder:

Version:	Voltage range:	Current mA:
24V dc	10-30V dc	375mA*
115V ac 50/60Hz	+/-10%	160mA
230V ac 50/60Hz	+/-10%	75mA

* current at nominal voltage

Stage 1	Frequency Description	dB @ 1m	Stage 2	Stage 3
Tone 1	Industrial Hooter	114dB(A) @ 1m	Tone 3	Tone 5
Tone 2	High Frequency Mechanical Siren	120dB(A) @ 1m	Tone 1	Tone 5
Tone 3	Medium Frequency Mechanical Siren	124dB(A) @ 1m	Tone 1	Tone 5
Tone 4	Electro Mechanical Buzzer	120dB(A) @ 1m	Tone 2	Tone 5
Tone 5	Mechanical Bell	116dB(A) @ 1m	Tone 1	Tone 2

*SPL data +/-3dB(A). Measured at optimum voltage